

PRAKASH

Quality, Reliability, Life

Sewage Cutter Pump



www.prakashpump.com

Sewage Cutter Pump

Applications

- Scum pumping at waste water treatment plant
- Municipal projects
- Industrial packaged pump station
- Home and domestic application (Special for kitchen)
- Pumping agricultural manure (dairy, hog and poultry)

Application Limits

- Water temperature up to 40°C
- PH : 4 to 10
- Maximum Density of trans medium is 1.2x103kg/m³
- Viscosity of trans medium is 7x10⁻⁷ - 23x10⁻⁶m²/s
- Maximum immersion depth: 5m to 10m

Performance Range

- Capacity : up to 24m³/hr
- Head : up to 10m

Motor Details

- Insulation class : F
- Protection class : Ip68
- Continue duty S1
- Power : 0.75kW-5.5 kW
- Power supply : Single phase 220v ± 10%, 50Hz
- Three Phase 380v ± 10% , 50Hz
- Cable Length: 8m

Feature and Benefits

Sewage cutter pump is design to handle large concentration of solids and/or tougher solids that conventional sewage pumps cannot handle. It provides clog-free operation by macerating those solids that might clog other types of submersible pumps.

Installation and use

Submersible pump with cutter is an ideal machine for draining sewage. A high-speed rotating cutter is assembled at the inlet hole of the pump, make it easy to cut off long-fiber and firm sundries contained in the sewage, so as to avoid the impeller is blocked by the entanglement.

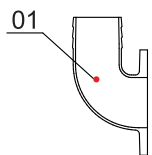
The protector in the motor can automatically cut off the power when it overheated or overloaded, thus guarantee the security and reliability of pump's running even in the atrocious environment.

Pump Selection Chart

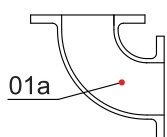
MODEL	Power		Volts	Outlet (Inch)		Max. Flow mm	Max. Head mm
	KW	HP		(Inch)	mm		
PSCP10-16-0.75F	0.75	1	220	2	50	16.5	10
PSCP10-16-0.75F	0.75	1	330	2	50	16.5	10

MODEL	Power		Volts	Outlet (Inch)		Max. Flow mm	Max. Head mm
	KW	HP		(Inch)	mm		
PSCP10-24-1.5F	1.5	2	220	2.5"	65	24	10
PSCP10-24-1.5F	1.5	2	380	2.5"	65	24	10
PSCP18-18-1.5	1.5	2	380	1.5"	40	18	18
PSCP26-20-2.2	2.2	3	380	1.5"	40	20	26
PSCP30-25-4.0	4	5.5	380	2"	50	25	30
PSCP42-25-5.5	5.5	7.5	380	2"	50	25	42

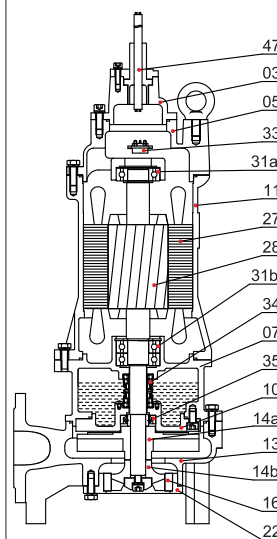
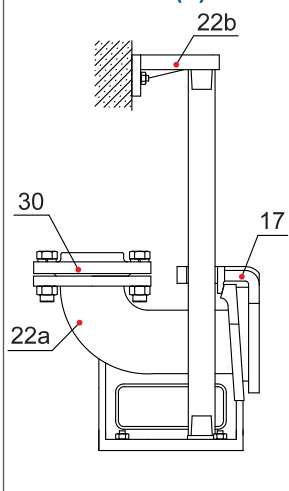
Movable Soft Pipe Installation (R)



Movable Hard Pipe Installation (Y)



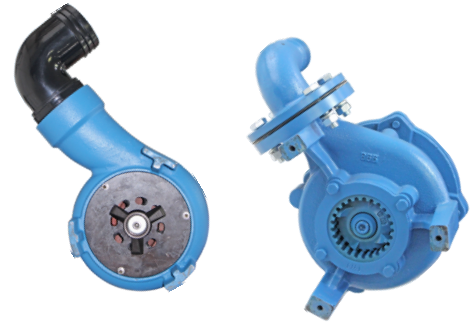
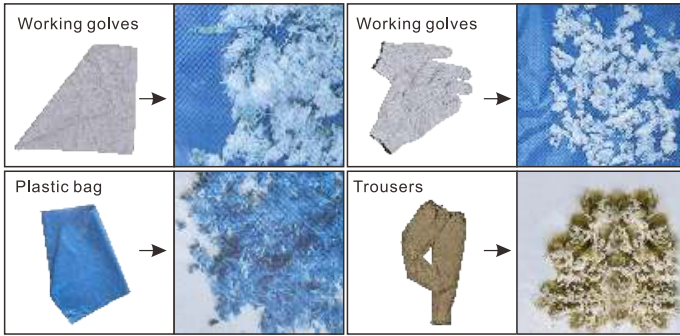
Auto-Coupled Installation (Z)



Materials of Construction

Item No.	Part name	Material
01	Hose coupling	Cast iron
01a	Hose coupling	Cast iron
03	Terminal box	Cast iron
05	Upper cover	Cast iron
07	Bearing house	Cast iron
10	Seal bracket	Cast iron
11	Motor body	Cast iron
13	Pump body	Cast iron
14a	Impeller	Ductile iron
14b	Rotational blade	High chrome alloy
16	Stationary Blade	High chrome alloy
17	Coupling adapter	Cast iron
22	Seat assembly	Cast iron
22a	Coupling seat	Cast iron
22b	Upper guide support	Cast iron
27	Stator	
28	Rotor	Shaft: AISI304SS
30	Flange	Cast iron
31a	Bearing	Ball bearing
31b	Bearing	Ball bearing
33	Motor protector	
34	Mechanical seal	Sic-Sic/Carbon-Ceramic
35	Oil seal	
47	Cable	

Grinding Capacity of Pumps

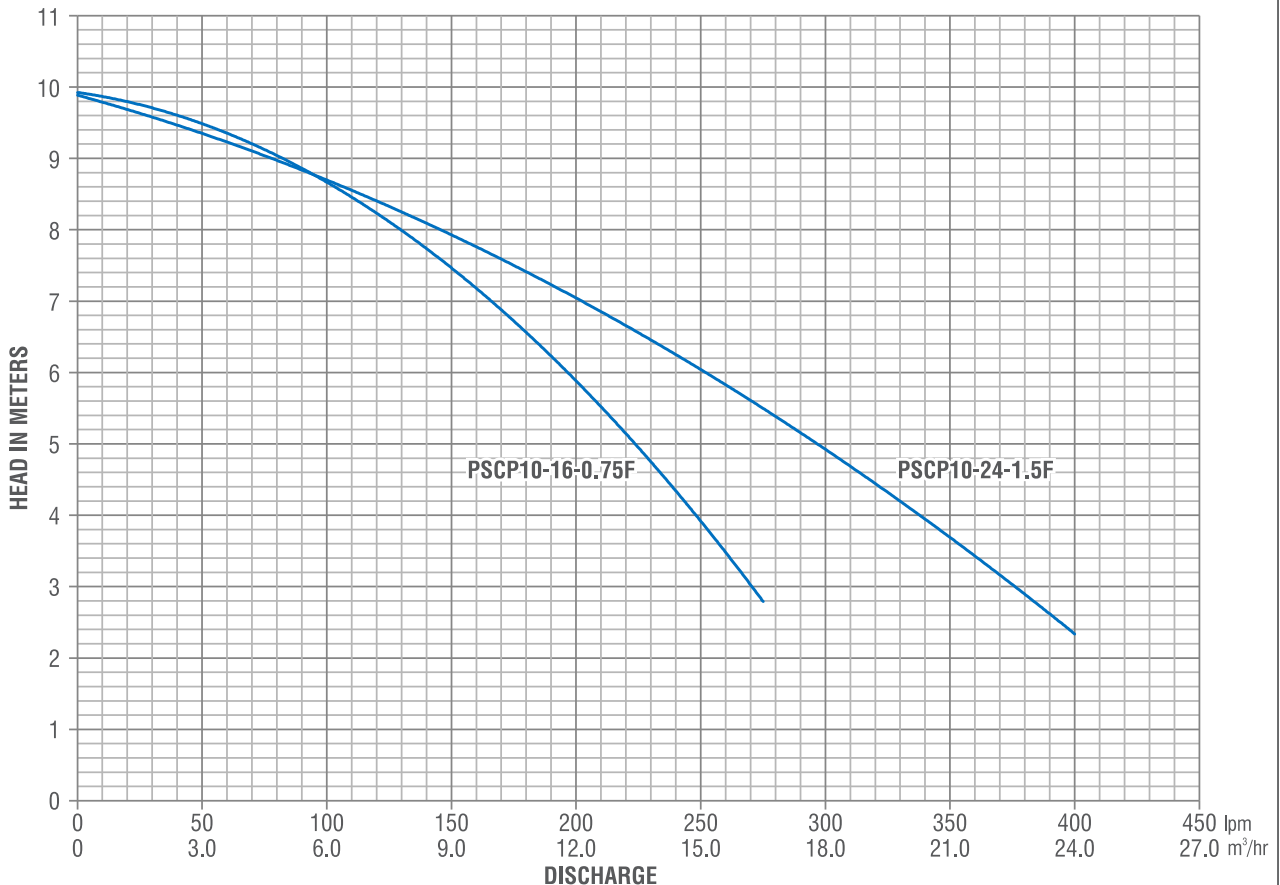


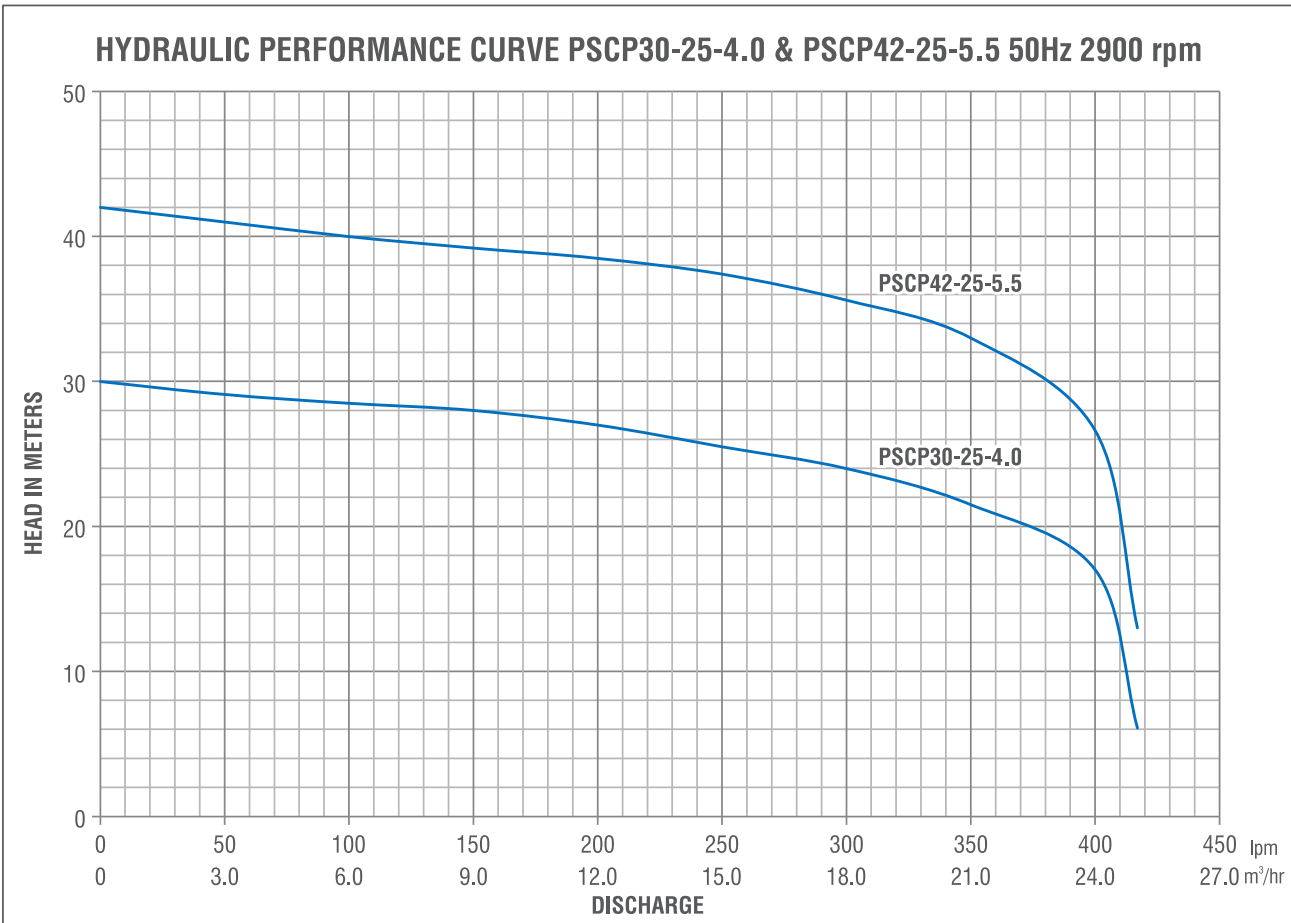
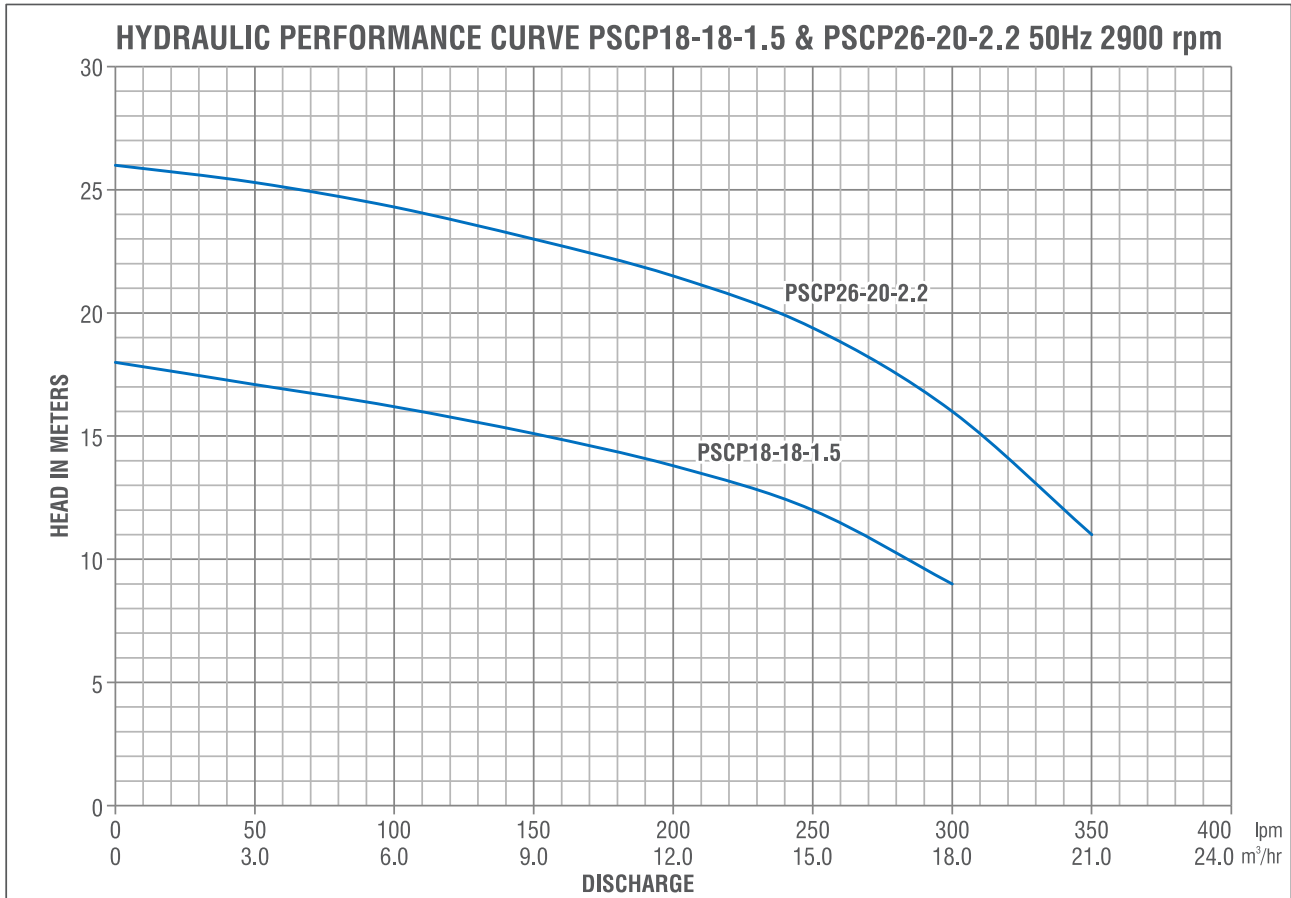
Performance Chart

MODEL	Power		Volts	Outlet (Inch)	Q	US GPM	0	7	13	20	26	33	40	46	53	59	66	73
	KW	HP				M ³ /H	0	1.5	3.0	4.5	6.0	7.5	9.0	10.5	12.0	13.5	15.0	16.5
						LPM	0	25	50	75	100	125	150	175	200	225	250	275
PSCP10-16-0.75F	0.75	1	220	2	H (m)	10	9.9	9.4	9.0	8.5	8.0	7.4	6.9	6.0	5.2	4.0	2.5	
PSCP10-16-0.75F	0.75	1	380	2		10	9.9	9.4	9.0	8.5	8.0	7.4	6.9	6.0	5.2	4.0	2.5	

MODEL	Power		Volts	Outlet (Inch)	Q	US GPM	0	13	26	40	53	66	79	92	106	110		
	KW	HP				M ³ /H	0	3.0	6.0	9.0	12.0	15.0	200	250	300	350	400	417
						LPM	0	50	100	150	200	250	300	350	400	417		
PSCP10-24-1.5F	1.5	2	220	2.5	H (m)	10	9.2	8.6	8.0	7.2	6.0	4.8	3.8	2.3				
PSCP10-24-1.5F	1.5	2	380	2.5		10	9.2	8.6	8.0	7.2	6.0	4.8	3.8	2.3				
PSCP18-18-1.5	1.5	2	380	1.5		18	17.1	16.2	15.1	13.8	12	9						
PSCP26-20-2.2	2.2	3	380	1.5		26	25.3	24.3	23	21.5	19.4	16	11					
PSCP30-25-4.0	4	5.5	380	2		30	29.1	28.5	28	27	25.5	24	21.5	17	6.1			
PSCP42-25-5.5	5.5	7.5	380	2		42	41	40	39.2	38.5	37.4	35.6	33	26.6	13			

HYDRAULIC PERFORMANCE CURVE PSCP10-16-0.75F & PSCP10-24-1.5F 50Hz 2900 rpm

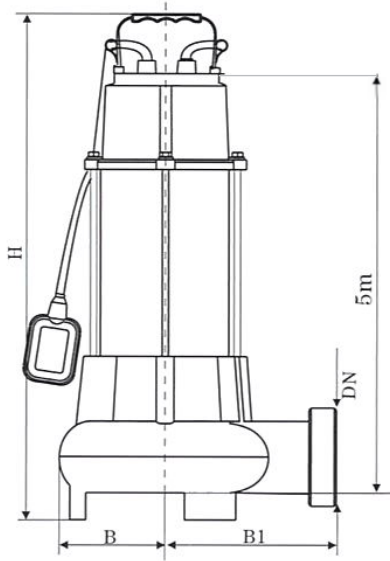




Sewage Cutter Pump

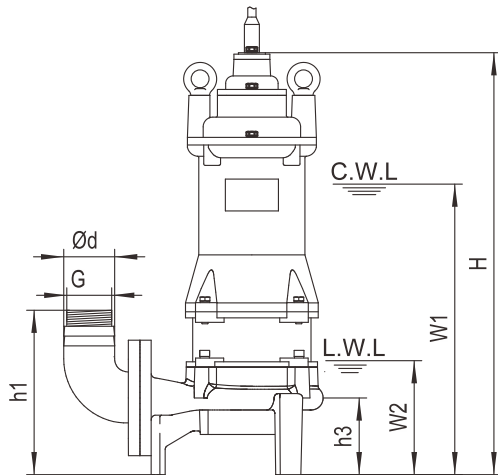


With Scissor Cutting System Submersible Sewage Pump

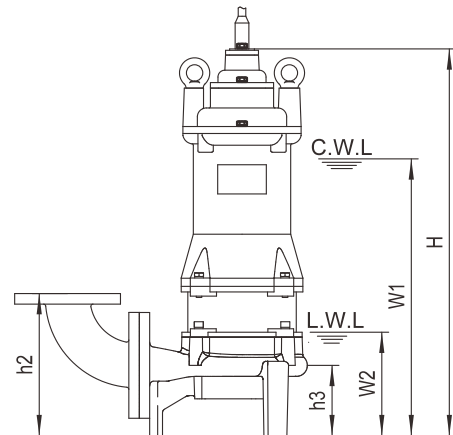


MODEL	Weight (Kg)	DN	B (mm)	B1 (mm)	H
PSCP10-16-0.75F	21	G2"	100	145	477
PSCP10-24-1.5F	32	G2 1/2"	93	193	496

Movable Soft Pipe Installation (R)



Movable Hard Pipe Installation (Y)



C.W.L : Continuous running water level
L.W.L : Lowest running water level

MODEL	Ød	G	ØA1	ØB1	ØC1	n-Ød1	h1	h2	h3	W1	W2	H	O	P	Q	L	D	M1	M2	N1	N2
PSCP18-18-1.5	40	-	40	100	130	4-Ø14	165	185	85	335	125	475	82	85	80	130	165	193	232	295	380
PSCP26-20-2.2	40	-	40	100	130	4-Ø14	170	190	90	375	125	545	95	100	100	150	200	210	250	325	410
PSCP30-25-4.0	50	G1½	50	110	140	4-Ø14	205	200	100	405	125	610	100	105	100	155	205	220	250	345	420
PSCP42-25-5.5	50	G1½	50	110	140	4-Ø14	200	195	95	440	125	635	110	115	105	160	220	225	255	360	435



Quality, Reliability, Life

PRAKASH PUMP

Survey No. 479, Opp. Supreme Estate-1,
Zak Kadadara Road, Vill.- Kadadara,
Tal.- Dehgam, Gandhinagar,
Gujarat 382305 INDIA

Distributor Office for Middle East

PRAKASH PUMP EST

P.O.Box: 20973 Industrial Area
AL Ain, (United Arab Emirates)
T: +971 3 7222733
F: +971 3 7222744
M: +971 50 6731283
E-mail: sale@prakashpump.com

Distributor Office for Oman

Global Equipment Material Co. LLC

P.O. Box. 227, Postal Code:320
Nakhla Road, Barka(Sultanate of Oman)
T: +968 26883982
F: +968 26883982
M: +968 94584686
E-mail: oman@prakashpump.com



To get quotation by email



To get quotation by SMS



To download e-catalogue



The images given is only for illustration purpose for further details contact to sales team or sale@prakashpump.com / oman@prakashpump.com