

PRAKASH

Quality, Reliability, Life

Centrifugal Stainless Steel Pump

SS316



www.prakashpump.com

Applications

This series is suitable for transporting clean media which are non-aggressive to stainless steel 316

- Water Supply System
- Pressure boiler feeding
- Pure water treating systems
- Refining & chemical industries
- Washing & Sprinkling
- R.O plant

Application limits

- Suction Size : G1 1/4" & G1 1/2"
- Discharge Size : G1"
- Max. Working Pressure : 8 Bar
- Liquid Temp. : -15°C to 80°C
- To avoid overload & danger the pump should be operated within the performance ranges
- Altitude : <1000m

Product feature

Compact & nice in appearance while being efficient and low in voice. Our pumps have reliable seal which results in case of maintenance & use.

Standard Material

- Pump impeller, Casing & Back Cover : S.S.316
- Shaft : Friction welded 316
- Bearing : High loaded bearing
- Mechanical Seal : SIC/SIC/VITON/S.S.

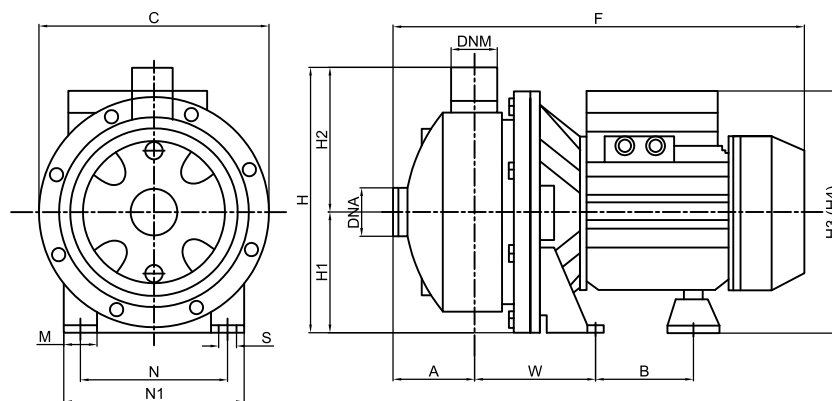
Performance Range

- Flow : up to 15.6 m³/hr
- Head : up to 42m

Motor details

- T.E.F.C. Continuous duty insulation class : F or B.
- Protection Class : IP 55
- Ambient Temperature range : -15°C to 40°C
- Single Phase Version : 220V, 50Hz, 2900rpm
- Three Phase Version : 380V, 50Hz, 2900 rpm
- 2 Pole induction motor
- Power : 0.75kw to 2.2kw
- Speed : 2900 rpm

Note: In Single Phase Motor Thermal Overload Protector (T.O.P) is available. Three phase motor Thermal overload protector available upon request.



Dimension chart

Model	DIMENSIONS IN MM															
	A	C	F	H	H1	H2	H3	H4	M	N	N1	S	W	B	DNA	DNM
P70/0.75	53	213	327	232	108	124	211	210	39	120	160	9	93	76	G1 1/4"	G1"
P70/1.1	53	213	370	232	108	124	248	222	39	120	160	9	93	82	G1 1/4"	G1"
P70/1.5	53	235	383	252	120	132	260	234	39	140	180	9	96	90	G1 1/4"	G1"
P120/0.75	53	213	327	232	108	124	211	210	39	120	160	9	93	76	G1 1/4"	G1"
P120/1.1	53	213	370	232	108	124	248	222	39	120	160	9	93	82	G1 1/4"	G1"
P120/1.5	53	235	383	252	120	132	260	234	39	140	180	9	96	90	G1 1/4"	G1"
P120/2.2	53	235	383	252	120	132	260	234	39	140	180	9	96	90	G1 1/4"	G1"
P200/1.5	54	213	371	232	108	124	248	222	39	120	160	9	93	79	G1 1/2"	G1"
P200/2.2	54	213	371	232	108	124	248	222	39	120	160	9	93	79	G1 1/2"	G1"

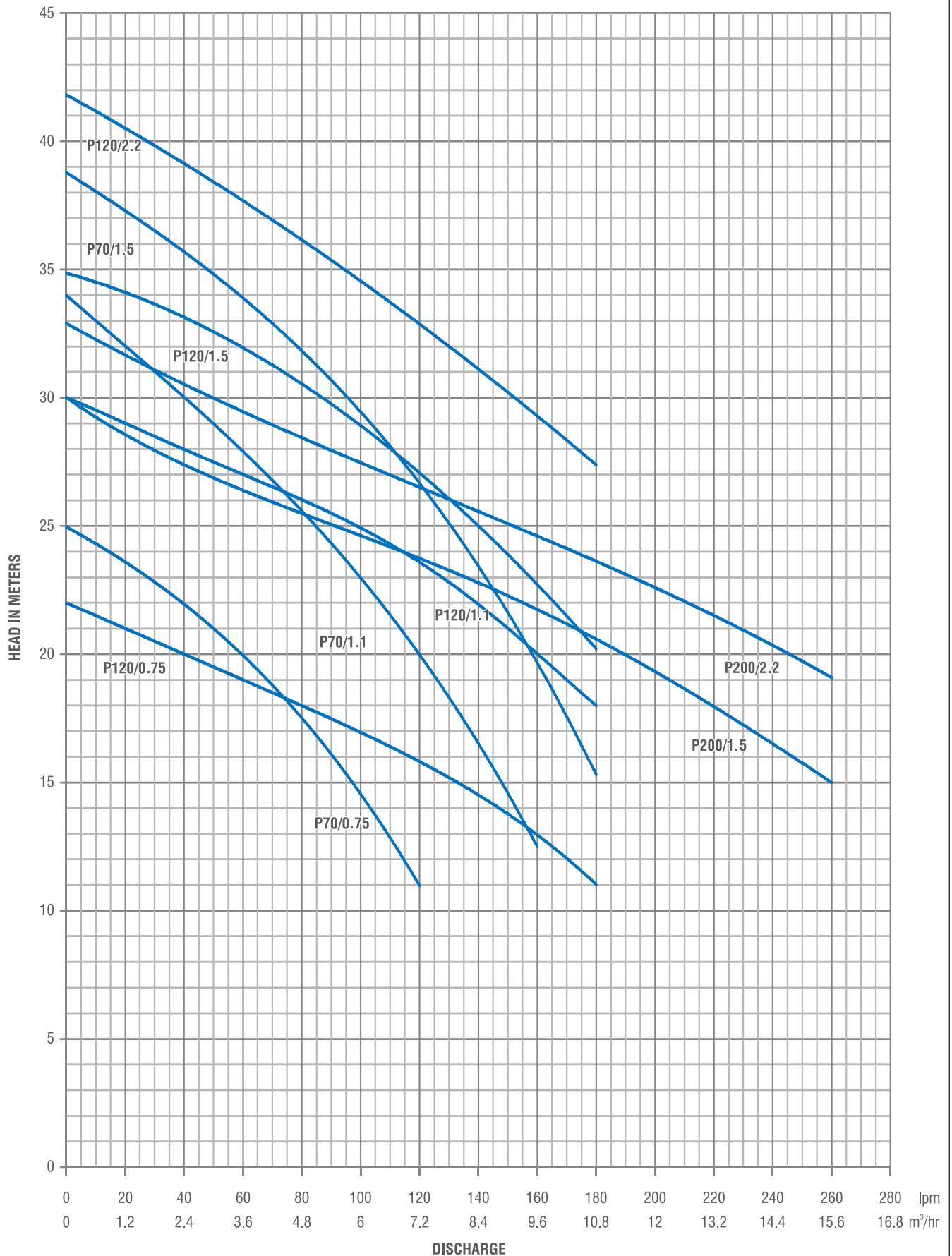
Pump selection chart

Model	Model		INLET/ OUTLET	Max. Flow (M ³ /h)	Max. Head (m)	Max. Suction (m)
	KW	HP				
P70/0.75	0.75	1	1.25" X 1"	7.2	25	8
P70/1.1	1.1	1.5		9.6	34	
P70/1.5	1.5	2		10.8	39	
P120/0.75	0.75	1		10.8	22	
P120/1.1	1.1	1.5		10.8	30	
P120/1.5	1.5	2		10.8	35	
P120/2.2	2.2	3		10.8	42	
P200/1.5	1.5	2	1.5" X 1"	15.6	30	
P200/2.2	2.2	3		15.6	33	

Performance Chart

Model	Model		Q	US GPM	0	5	11	16	21	26	32	37	42	48	53	58	63	69
				M ³ /H	0	1.2	2.4	3.6	4.8	6.0	7.2	8.4	9.6	10.8	12.0	13.2	14.4	15.6
	LPM	0		20	40	60	80	100	120	140	160	180	200	220	240	260		
P70/0.75	0.75	1	H METERS	25	24	22	20	18	15	11								
P70/1.1	1.1	1.5		34	32	30	28	26	23	20	17	13						
P70/1.5	1.5	2		39	37	36	34	32	30	27	23	20	16					
P120/0.75	0.75	1		22	21	20	19	18	17	16	15	13	11					
P120/1.1	1.1	1.5		30	29	28	27	26	25	24	22	20	18					
P120/1.5	1.5	2		35	34	33	32	31	29	27	25	23	20					
P120/2.2	2.2	3		42	41	39	38	36	35	33	32	30	27					
P200/1.5	1.5	2		30	29	28	27	25	25	24	23	22	21	19	18	17	15	
P200/2.2	2.2	3		33	32	31	30	29	28	27	26	25	24	23	22	21	19	

HYDRAULIC PERFORMANCE CURVE FOR CENTRIFUGAL STAINLESS STEEL PUMP 50Hz 2900 rpm





Quality, Reliability, Life

PRAKASH PUMP

Survey No. 479, Opp. Supreme Estate-1,
Zak Kadadara Road, Vill.- Kadadara,
Tal.- Dehgam, Gandhinagar,
Gujarat 382305 INDIA

Distributor Office for Middle East

PRAKASH PUMP EST

P.O.Box: 20973 Industrial Area
AL Ain, (United Arab Emirates)
T: +971 3 7222733
F: +971 3 7222744
M: +971 50 6731283
E-mail: sale@prakashpump.com

Distributor Office for Oman

Global Equipment Material Co. LLC

P.O. Box. 227, Postal Code:320
Nakhla Road, Barka(Sultanate of Oman)
T: +968 26883982
F: +968 26883982
M: +968 94584686
E-mail: oman@prakashpump.com



To get quotation by email



To get quotation by SMS



To download e-catalogue



The images given is only for illustration purpose for further details contact to sales team or sale@prakashpump.com / oman@prakashpump.com