



Worldwide

Quality, Reliability, Life

Horizontal Multistage Stainless Steel pump



AN ISO 9001:2008 CERTIFIED COMPANY

CB-037-MS

www.prakashpump.com

Horizontal Multistage Stainless Steel pump

Applications

- It is applicable to household water supply, equipment support, pipeline pressurization, garden watering, vegetable greenhouse watering, fish farming and poultry raising, industrial and mining, water supply and drainage of enterprises and high-rise buildings, central air conditioner and centralized heating circulation system, etc.

Performance Range

- Flow : up to 28 m³/hr
- Head : up to 58m

Application Limits

- Max. liquid temperature: +85°C
- Altitude: up to 1000 m
- Max. suction: 8 m
- Max. inlet pressure: limited by max. operating pressure
- Max. operating pressure: 10 bar
- Liquid PH value: 4-10

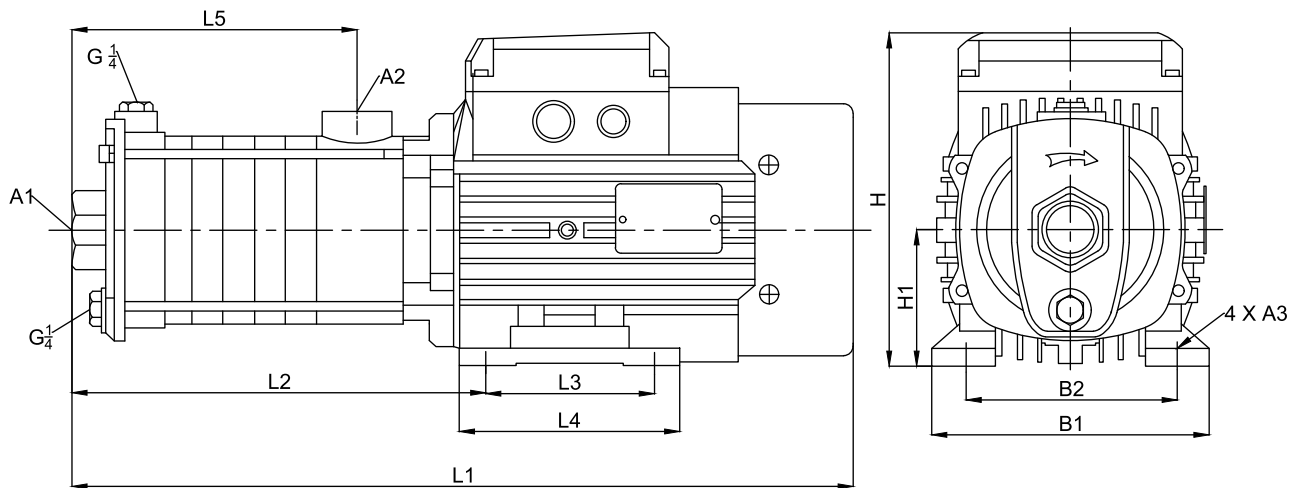
Motor Details

- Motor with copper winding
- Built-in thermal protector for single phase motor
- Insulation class: F
- Protection class: Ip55
- Max. ambient temperature: +40°C
- 2 Pole induction motor
- Power : 0.37kw to 4.0kw
- Speed 2900 rpm
- Duty : Continues S1

Pump Selection Chart

MODEL (CAST IRON)	MODEL (STAINLESS STEEL)	Power		PHASE	INLET/OUTLET	Max. Flow (LPM)	Max. Head (m)	Max. Suction (m)	GW (Kg)
		KW	HP						
PHMP2-20	PHMPSS2-20	0.37	0.5	1 phase	1" x 1"	60	18	8	11.5
PHMP2-30	PHMPSS2-30	0.37	0.5				27		11.8
PHMP2-40	PHMPSS2-40	0.55	0.75				36		13.2
PHMP2-50	PHMPSS2-50	0.55	0.75				45		13.7
PHMP2-60	PHMPSS2-60	0.75	1				54		14.6

G.A. Drawing



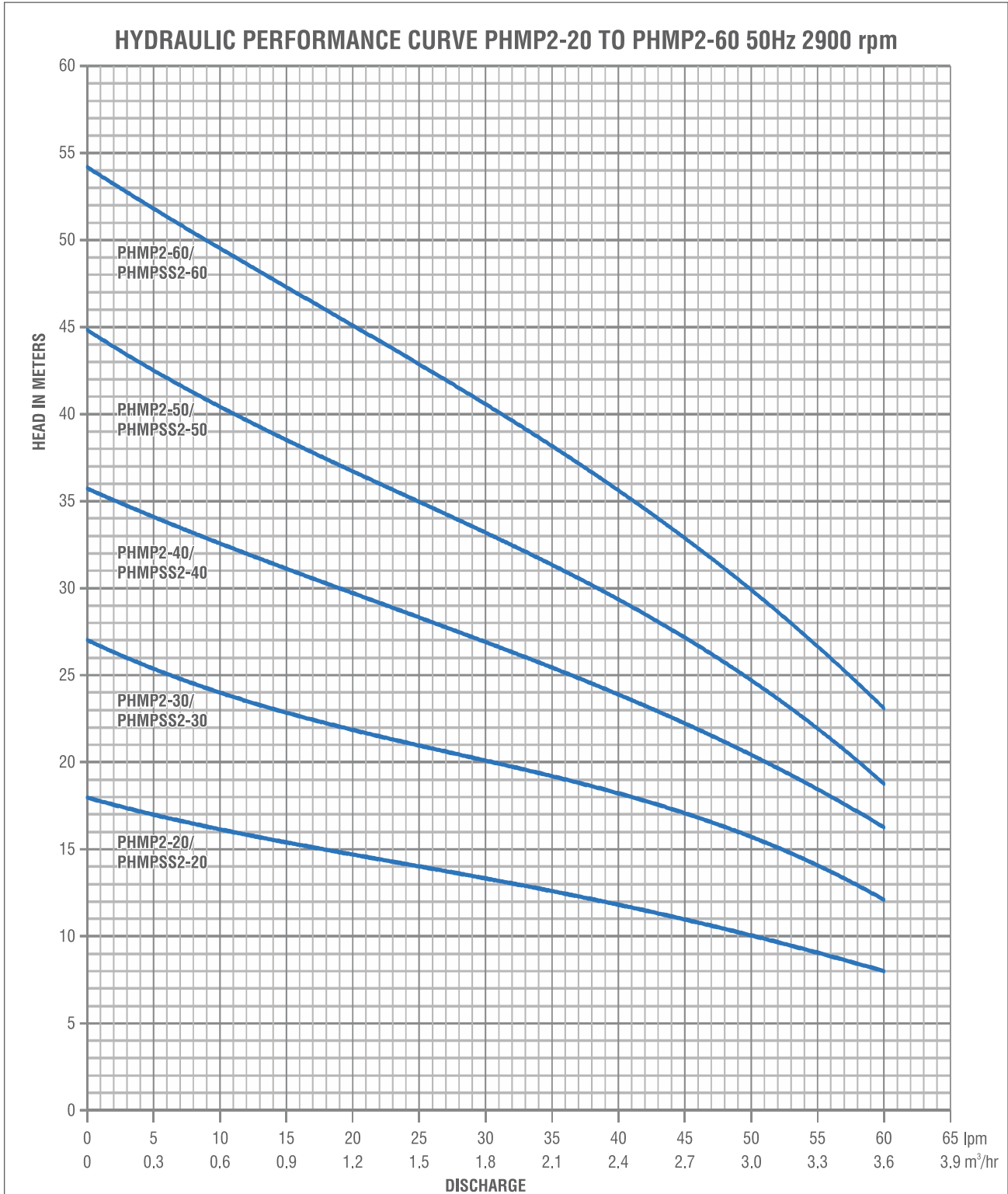
Pump Dimension

MODEL (CAST IRON)	MODEL (STAINLESS STEEL)	L1	L2	L3	L4	L5	B1	B2	H	H1	A1	A2	A3
PHMP2-20	PHMPSS2-20	344.5	165.5	90.0	110.0	98.5	137.0	109.0	176.5	71.0	G1"	G1"	ø7
PHMP2-30	PHMPSS2-30	362.5	183.5	90.0	110.0	116.5	137.0	109.0	176.5	71.0	G1"	G1"	ø7
PHMP2-40	PHMPSS2-40	380.5	201.5	90.0	110.0	134.5	137.0	109.0	176.5	71.0	G1"	G1"	ø7
PHMP2-50	PHMPSS2-50	399.5	220.5	90.0	110.0	153.5	137.0	109.0	176.5	71.0	G1"	G1"	ø7
PHMP2-60	PHMPSS2-60	417.5	238.5	90.0	110.0	171.5	137.0	109.0	176.5	71.0	G1"	G1"	ø7

Performance Chart

MODEL (CAST IRON)	MODEL (STAINLESS STEEL)	Power		Q	US GPM	0	2.6	5.3	7.9	10.6	13.2	15.9
		KW	HP		M ³ /H	0	0.6	1.2	1.8	2.4	3.0	3.6
					LPM	0	10	20	30	40	50	60
PHMP2-20	PHMPSS2-20	0.37	0.5	H (m)		18	16	15	13	12	10	8
PHMP2-30	PHMPSS2-30	0.37	0.5			27	24	22	20	18	16	12
PHMP2-40	PHMPSS2-40	0.55	0.75			36	33	30	26	24	21	16
PHMP2-50	PHMPSS2-50	0.55	0.75			45	40	37	33	30	24	19
PHMP2-60	PHMPSS2-60	0.75	1			54	50	45	40	36	30	23

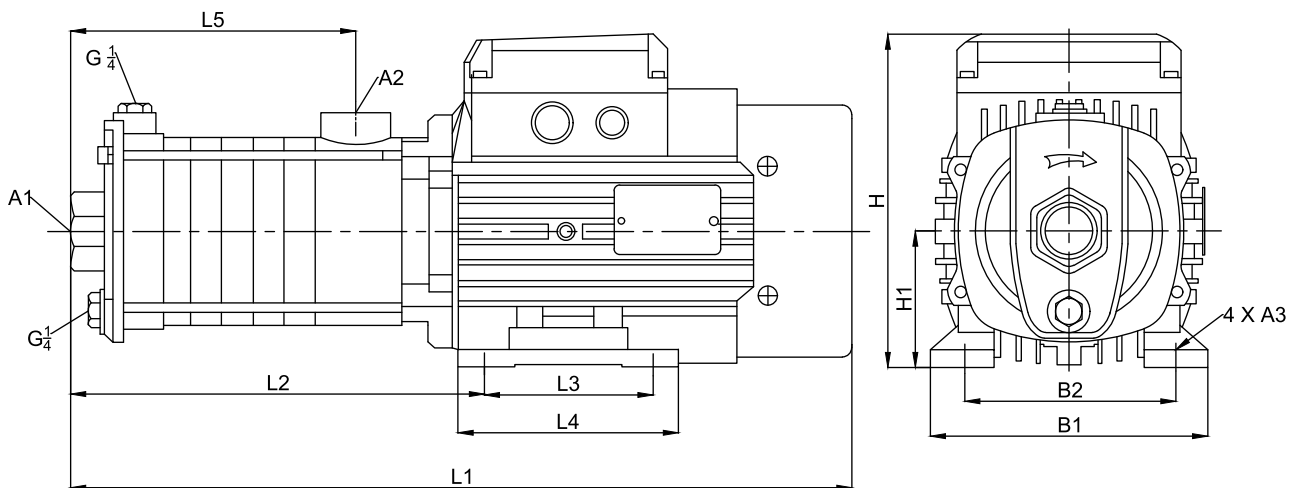
Pump Performance Curve



Pump Selection Chart

MODEL (CAST IRON)	MODEL (STAINLESS STEEL)	Power		PHASE	INLET/ OUTLET	Max. Flow (LPM)	Max. Head (m)	Max. Suction (m)	GW (Kg)
		KW	HP						
PHMP4-20	PHMPSS4-20	0.55	0.75	1 phase	1 1/4" x 1"	117	18	8	13.1
PHMP4-30	PHMPSS4-30	0.55	0.75				28		13.6
PHMP4-40	PHMPSS4-40	0.75	1.0				38		14.7
PHMP4-50	PHMPSS4-50	1.1	1.5				48		21.5
PHMP4-60	PHMPSS4-60	1.1	1.5				58		22.0

G.A. Drawing



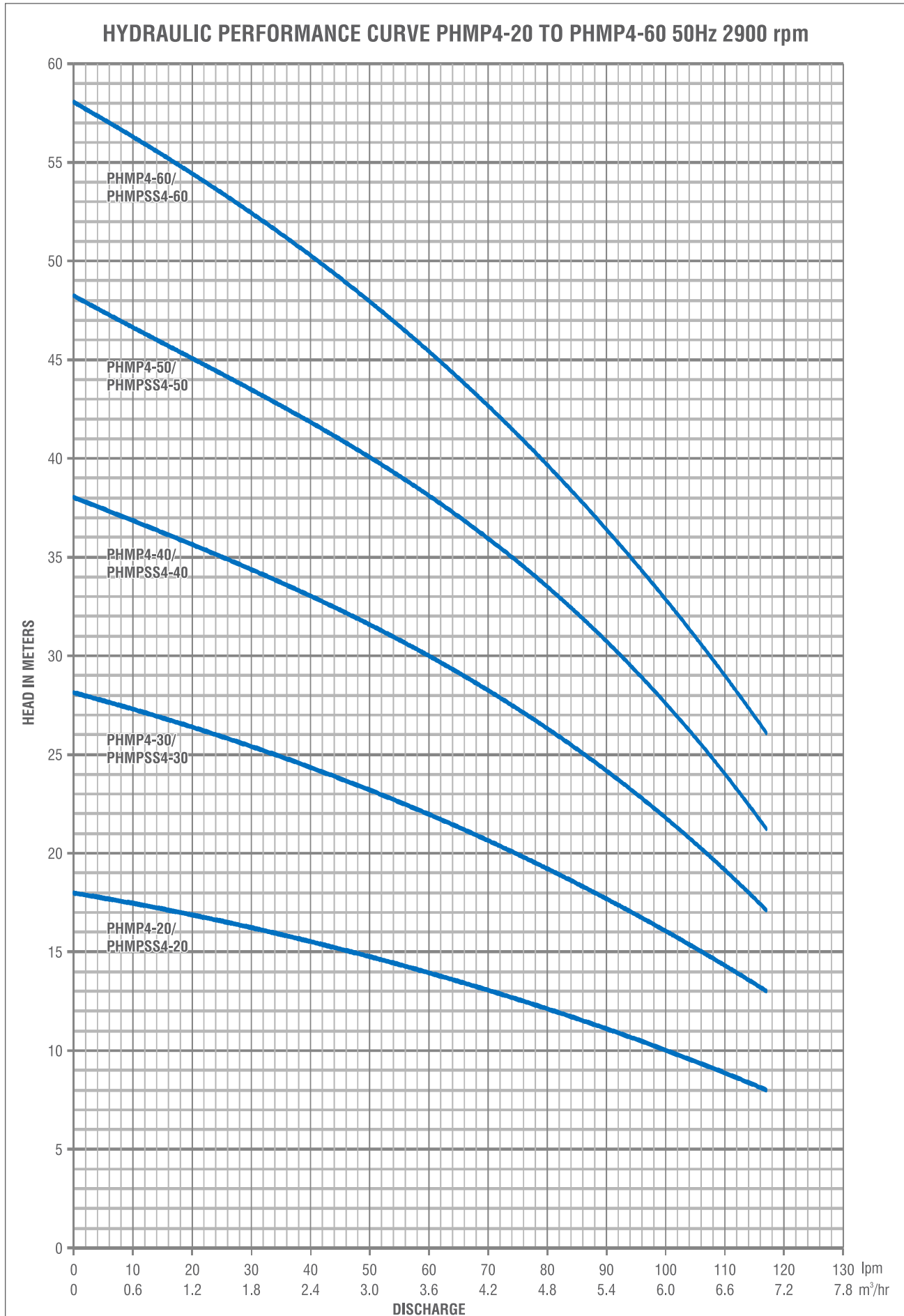
Pump Dimension

MODEL (CAST IRON)	MODEL (STAINLESS STEEL)	L1	L2	L3	L4	L5	B1	B2	H	H1	A1	A2	A3
PHMP4-20	PHMPSS4-20	354.0	175.5	90.0	110.0	108.5	137.0	109.0	176.5	71.0	G1 1/4"	G1"	ø7
PHMP4-30	PHMPSS4-30	381.5	203.0	90.0	110.0	136.0	137.0	109.0	176.5	71.0	G1 1/4"	G1"	ø7
PHMP4-40	PHMPSS4-40	408.5	230.0	90.0	110.0	163.0	137.0	109.0	176.5	71.0	G1 1/4"	G1"	ø7
PHMP4-50	PHMPSS4-50	484.0	266.0	100.0	130.0	190.0	165.0	125.0	204.5	80.0	G1 1/4"	G1"	ø10
PHMP4-60	PHMPSS4-60	511.5	293.5	100.0	130.0	217.5	165.0	125.0	204.5	80.0	G1 1/4"	G1"	ø10

Pump Performance Chart

MODEL (CAST IRON)	MODEL (STAINLESS STEEL)	Power		Q	H (m)	US GPM	0	4.5	8.7	13.2	17.7	21.9	26.4	30.9
		KW	HP			M ³ /H	0	1.0	2.0	3.0	4.0	5.0	6.0	7.0
PHMP4-20	PHMPSS4-20	0.55	0.75	H (m)	18	17	16	15	13	12	10	8		
PHMP4-30	PHMPSS4-30	0.55	0.75		28	27	25	23	21	19	16	13		
PHMP4-40	PHMPSS4-40	0.75	1.0		38	36	34	32	28	26	22	17		
PHMP4-50	PHMPSS4-50	1.1	1.5		48	46	43	40	36	33	28	21		
PHMP4-60	PHMPSS4-60	1.1	1.5		58	55	52	48	43	39	33	26		

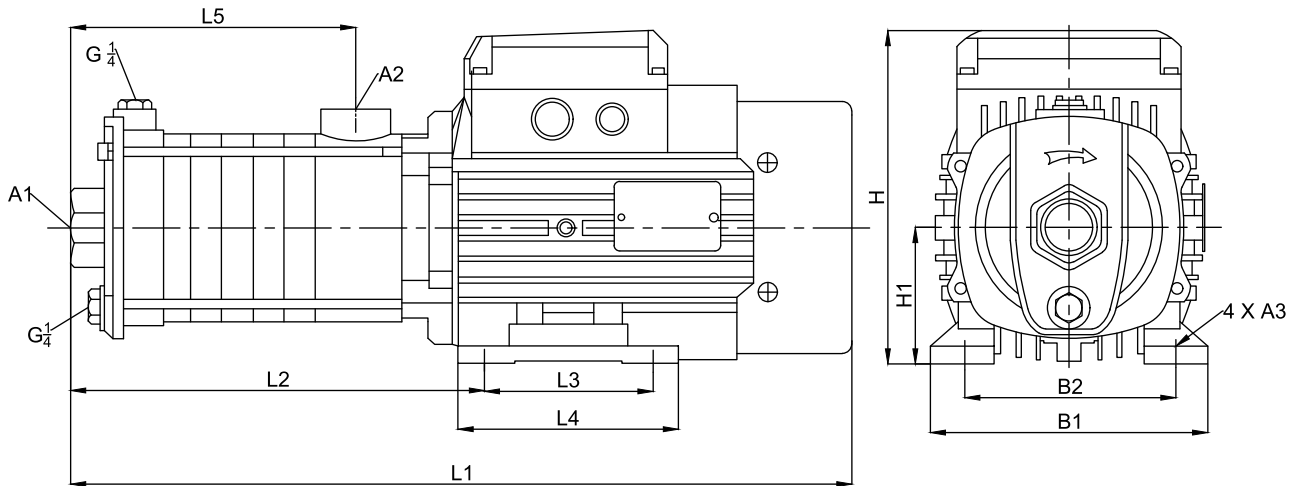
Pump Performance Curve



Pump Selection Chart

MODEL (CAST IRON)	MODEL (STAINLESS STEEL)	Power		PHASE	INLET/ OUTLET	Max. Flow (LPM)	Max. Head (m)	Max. Suction (m)	GW (Kg)
		KW	HP						
PHMP10-10	PHMPSS10-10	0.75	1.0	1 phase	1 1/2" x 1 1/4"	183	10	8	20.7
PHMP10-20	PHMPSS10-20						20		20.8
PHMP10-30	PHMPSS10-30	1.1	1.5			30	21.9		
PHMP10-40	PHMPSS10-40	1.5	2.0			40	28.2		
PHMP10-50	PHMPSS10-50	2.2	3.0			50	30.6		

G.A. Drawing



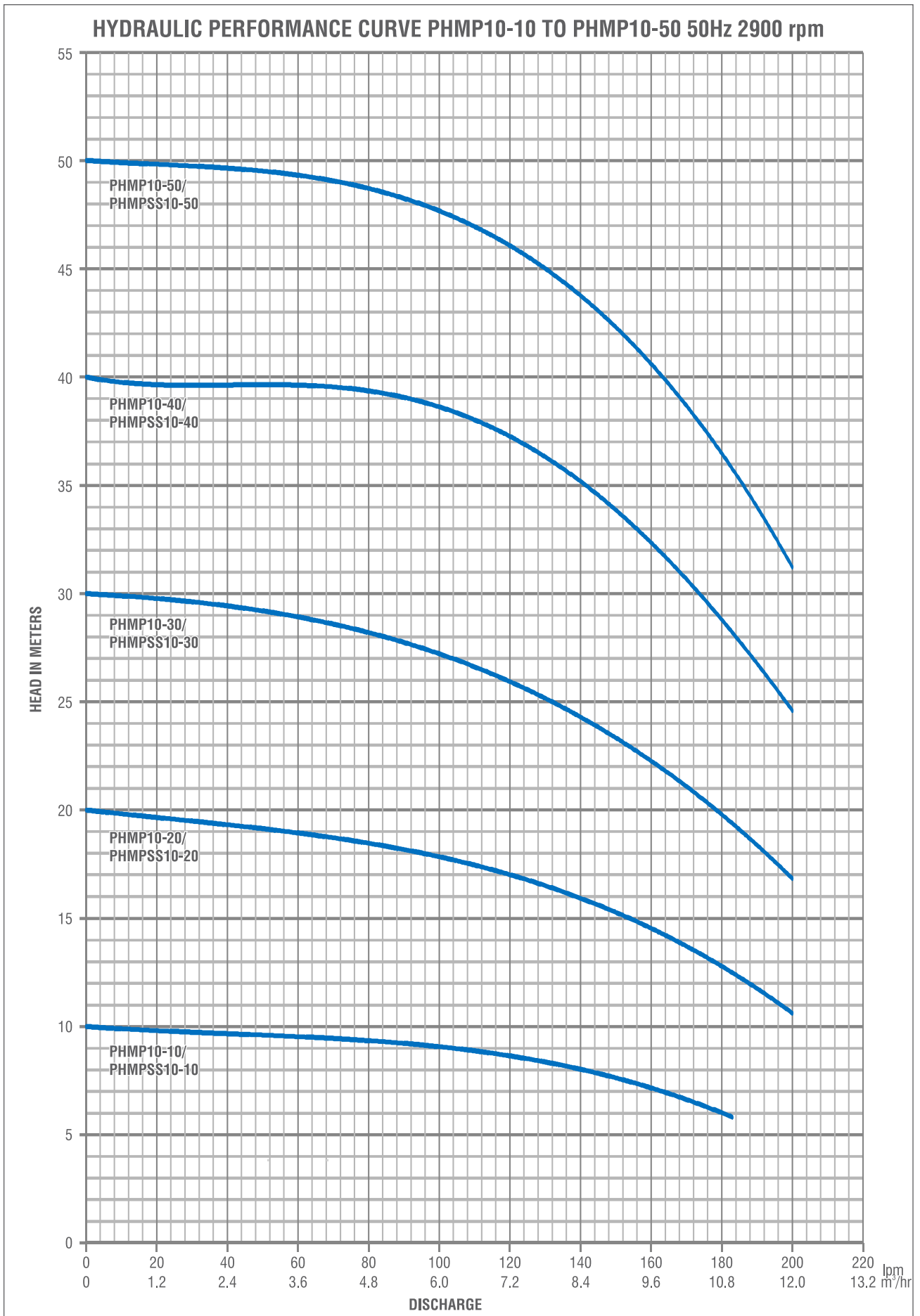
Pump Dimension

MODEL (CAST IRON)	MODEL (STAINLESS STEEL)	L1	L2	L3	L4	L5	B1	B2	H	H1	A1	A2	A3
PHMP10-10	PHMPSS10-10	430.0	212.0	100.0	130.0	121.0	165.0	125.0	204.5	80.0	G1 1/2"	G1 1/4"	ø10
PHMP10-20	PHMPSS10-20	430.0	212.0	100.0	130.0	121.0	165.0	125.0	204.5	80.0	G1 1/2"	G1 1/4"	ø10
PHMP10-30	PHMPSS10-30	460.5	242.5	100.0	130.0	151.5	165.0	125.0	504.5	80.0	G1 1/2"	G1 1/4"	ø10
PHMP10-40	PHMPSS10-40	549.5	261.5	125.0	150.0	182.0	180.0	140.0	217.5	90.0	G1 1/2"	G1 1/4"	ø10
PHMP10-50	PHMPSS10-50	579.5	291.5	125.0	150.0	212.0	180.0	140.0	217.5	90.0	G1 1/2"	G1 1/4"	ø10

Pump Performance Chart

MODEL (CAST IRON)	MODEL (STAINLESS STEEL)	Power		Q	H (m)	US GPM	0	26.4	30.9	35.1	39.6	44.1	48.3	52.8
		KW	HP			M ³ /H	0	6.0	7.0	8.0	9.0	10.0	11.0	12.0
						LPM	0	100	117	133	150	167	183	200
PHMP10-10	PHMPSS10-10	0.75	1.0	H (m)	10	9.1	8.7	8.2	7.7	6.8	5.8			
PHMP10-20	PHMPSS10-20				20	17.9	17.1	16.3	15.3	14.0	12.5	10.6		
PHMP10-30	PHMPSS10-30	1.1	1.5		30	27.1	26.3	24.9	23.4	21.4	19.3	16.9		
PHMP10-40	PHMPSS10-40	1.5	2.0		40	38.6	37.6	35.9	33.9	31.2	28.2	24.6		
PHMP10-50	PHMPSS10-50	2.2	3.0		50	47.8	46.4	44.4	42.2	39.5	35.9	31.1		

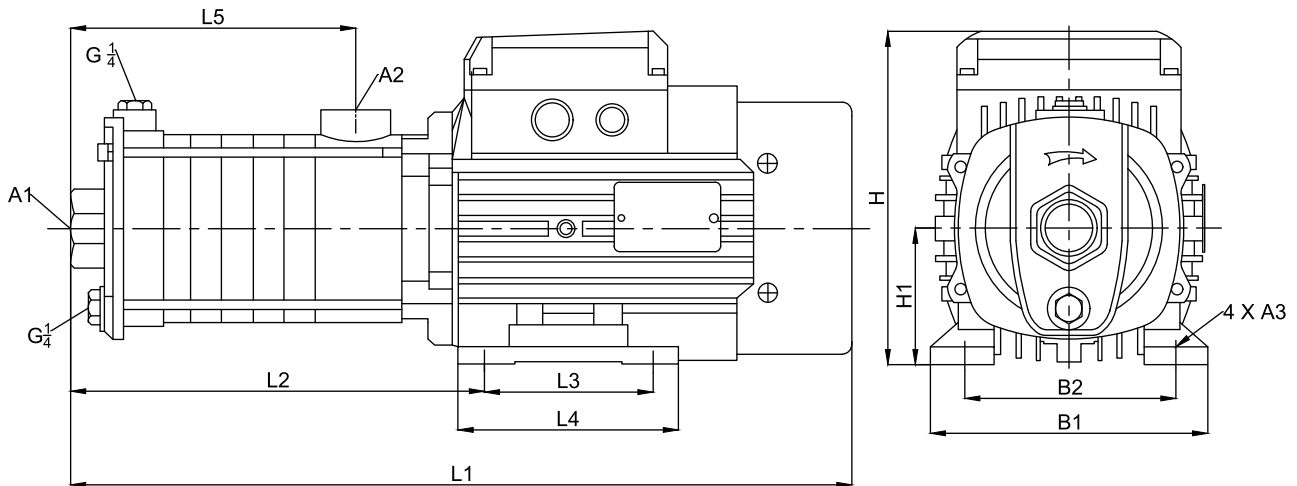
Pump Performance Curve



Pump Selection Chart

MODEL (CAST IRON)	MODEL (STAINLESS STEEL)	Power		PHASE	INLET/ OUTLET	Max. Flow (LPM)	Max. Head (m)	Max. Suction (m)	GW (Kg)
		KW	HP						
PHMP15-10	PHMPSS15-10	1.1	1.5	1 phase	2" x 2"	350	14	8	22.7
PHMP15-20	PHMPSS15-20	2.2	3.0				28		30.3
PHMP15-30	PHMPSS15-30	3.0	4.0	3 phase			42		32.2
PHMP15-40	PHMPSS15-40	4.0	5.5				55		39.6

G.A. Drawing



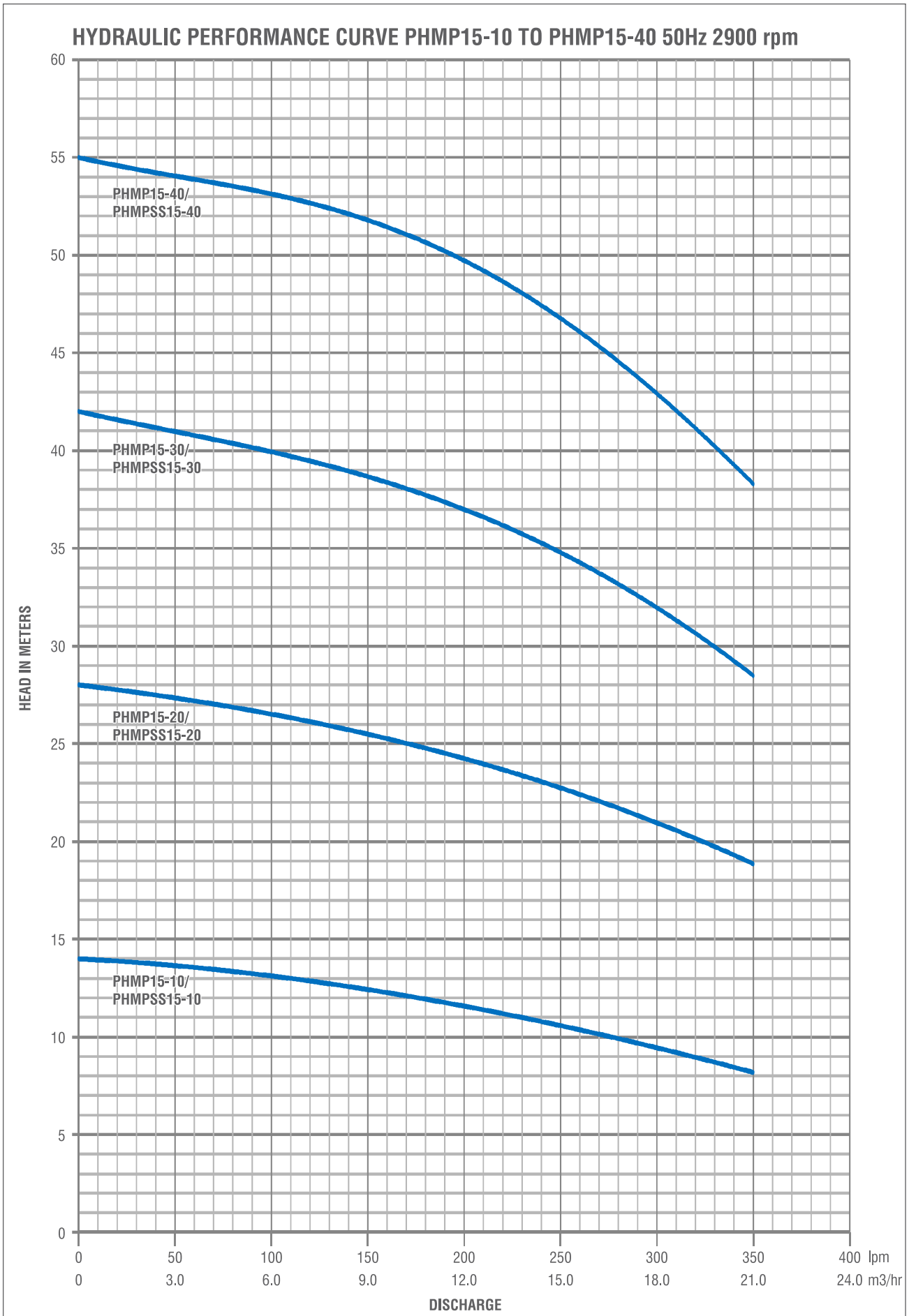
Pump Dimension Chart

MODEL (CAST IRON)	MODEL (STAINLESS STEEL)	L1	L2	L3	L4	L5	B1	B2	H	H1	A1	A2	A3
PHMP15-10	PHMPSS15-10	451.0	233.5	100.0	130.0	139.5	165.0	125.0	204.5	80.0	G2"	G2"	ø10
PHMP15-20	PHMPSS15-20	510.0	222.0	125.0	150.0	139.5	180.0	140.0	217.5	90.0	G2"	G2"	ø10
PHMP15-30	PHMPSS15-30	560.0	272.0	125.0	150.0	189.5	180.0	140.0	247.5	90.0	G2"	G2"	ø10
PHMP15-40	PHMPSS15-40	616.0	336.5	140.0	180.0	230.0	205.0	160.0	224.5	100.0	G2"	G2"	ø12

Pump Performance Chart

MODEL (CAST IRON)	MODEL (STAINLESS STEEL)	Power		Q	US GPM	0	39.6	52.8	66.0	79.3	92.5
		KW	HP		M ³ /H	0	9.0	12.0	15.0	18.0	21.0
					LPM	0	150	200	250	300	350
PHMP15-10	PHMPSS15-10	1.1	1.5	H (m)	14	12.4	11.6	10.6	9.4	8.2	
PHMP15-20	PHMPSS15-20	2.2	3.0		28	25.6	24.1	22.7	21.1	18.8	
PHMP15-30	PHMPSS15-30	3.0	4.0		42	38.7	36.9	34.9	31.9	28.5	
PHMP15-40	PHMPSS15-40	4.0	5.5		55	51.8	49.7	46.8	42.9	38.3	

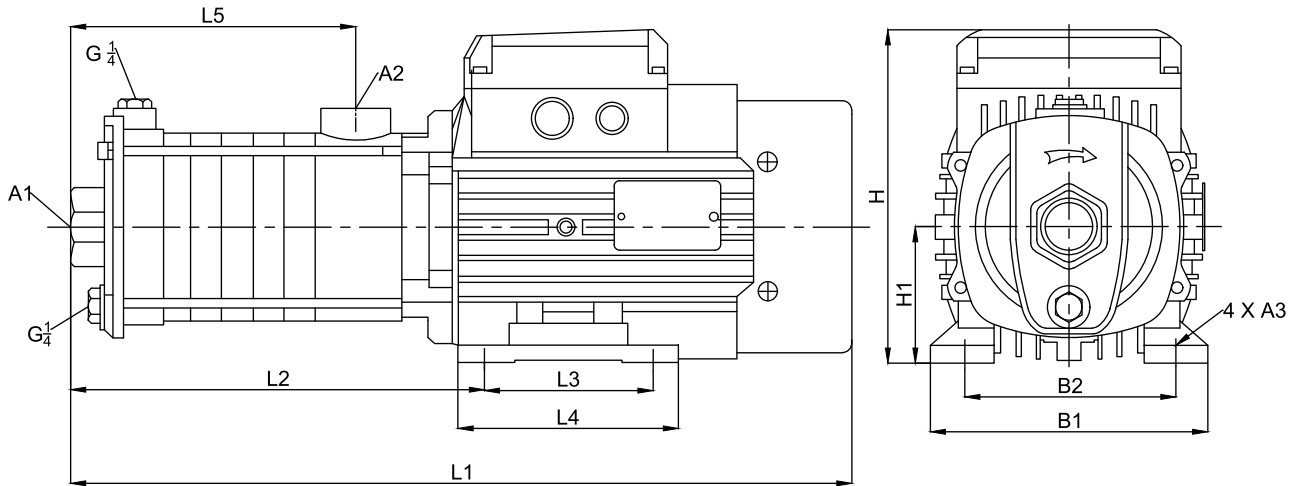
Pump Performance Curve



Pump Selection Chart

MODEL (CAST IRON)	MODEL (STAINLESS STEEL)	Power		PHASE	INLET/ OUTLET	Max. Flow (LPM)	Max. Head (m)	Max. Suction (m)	GW (Kg)
		KW	HP						
PHMP20-10	PHMPSS20-10	1.1	1.5	1 phase	2" x 2"	467	13	8	22.7
PHMP20-20	PHMPSS20-20	2.2	3.0				28		30.3
PHMP20-30	PHMPSS20-30	4.0	5.5	3 phase			42		38.9
PHMP20-40	PHMPSS20-40						56		39.4

G.A. Drawing



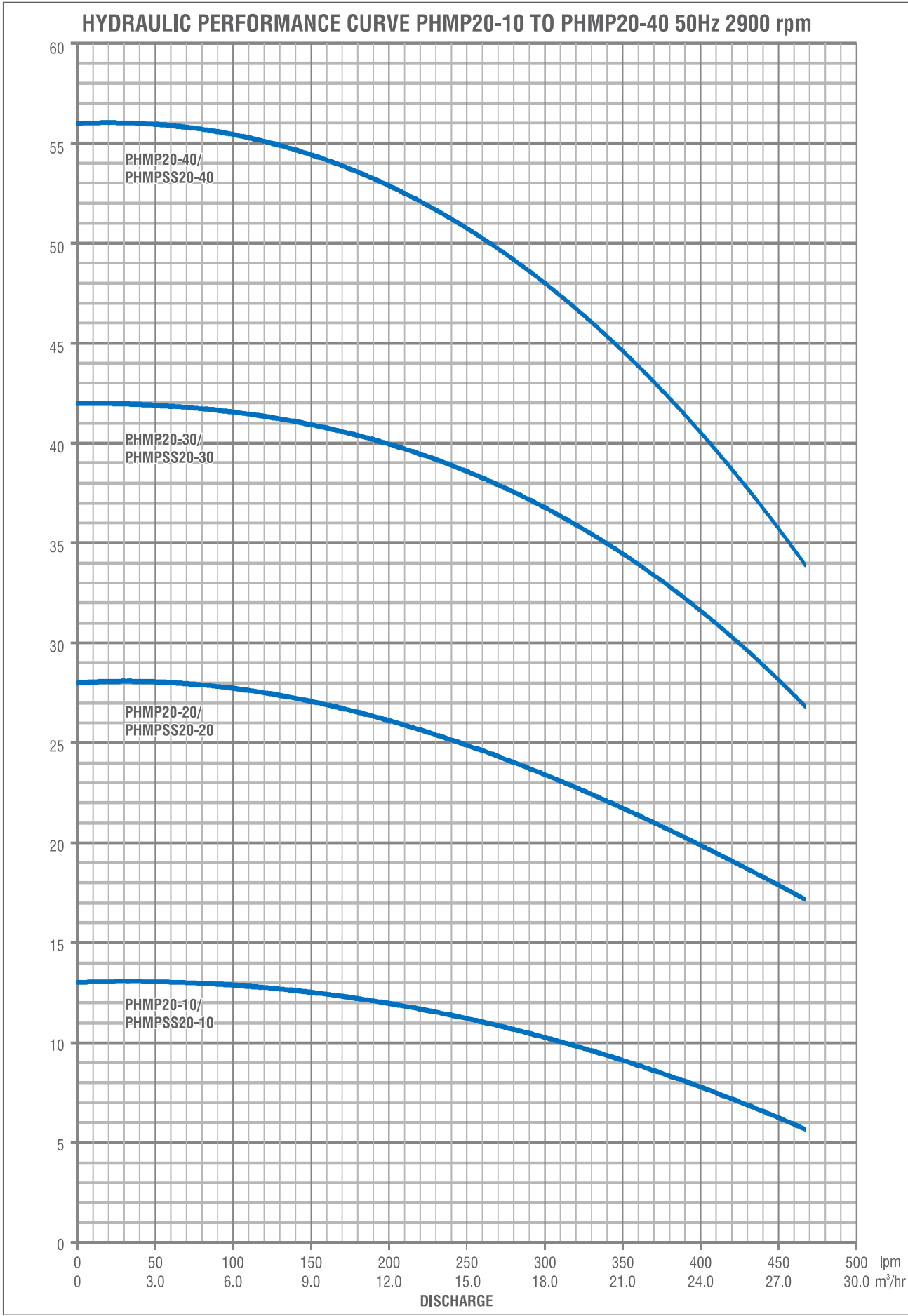
Pump Dimension

MODEL (CAST IRON)	MODEL (STAINLESS STEEL)	L1	L2	L3	L4	L5	B1	B2	H	H1	A1	A2	A3
PHMP20-10	PHMPSS20-10	451.0	233.5	100.0	130.0	139.5	165.0	125.0	204.5	80.0	G2"	G2"	ø10
PHMP20-20	PHMPSS20-20	510.0	222.0	125.0	150.0	139.5	180.0	140.0	217.5	90.0	G2"	G2"	ø10
PHMP20-30	PHMPSS20-30	570.5	291.0	140.0	180.0	184.5	205.0	160.0	224.5	100.0	G2"	G2"	ø12
PHMP20-40	PHMPSS20-40	616.0	336.5	140.0	180.0	230.0	205.0	160.0	224.5	100.0	G2"	G2"	ø12

Pump Performance Chart

MODEL (CAST IRON)	MODEL (STAINLESS STEEL)	Power		Q	H (m)	US GPM	0	52.8	70.5	88.0	105.7	123.4
		KW	HP			M ³ /H	0	12.0	16.0	20.0	24.0	28.0
						LPM	0	200	267	333	400	467
PHMP20-10	PHMPSS20-10	1.1	1.5	H (m)	13	12.1	10.8	9.5	7.8	5.7		
PHMP20-20	PHMPSS20-20	2.2	3.0		28	26.1	24.4	22.4	19.8	17.2		
PHMP20-30	PHMPSS20-30	4.0	5.5		42	39.9	38.0	35.5	31.4	26.9		
PHMP20-40	PHMPSS20-40				56	52.7	50.1	45.9	40.3	34		

Pump Performance Curve



Horizontal Multistage Stainless Steel pump



Applications

- For domestic and industrial applications, irrigation and hydropneumatic sets.

Performance Range

- Flow : up to 3.6 m³/hr
- Head : up to 60m

Application Limits

- Temperature of pumped liquid : 0-40°C
- Max. operating pressure : 7 bar
- Altitude : 1000m
- Max. suction : 8m
- Liquid PH Value : 4-10

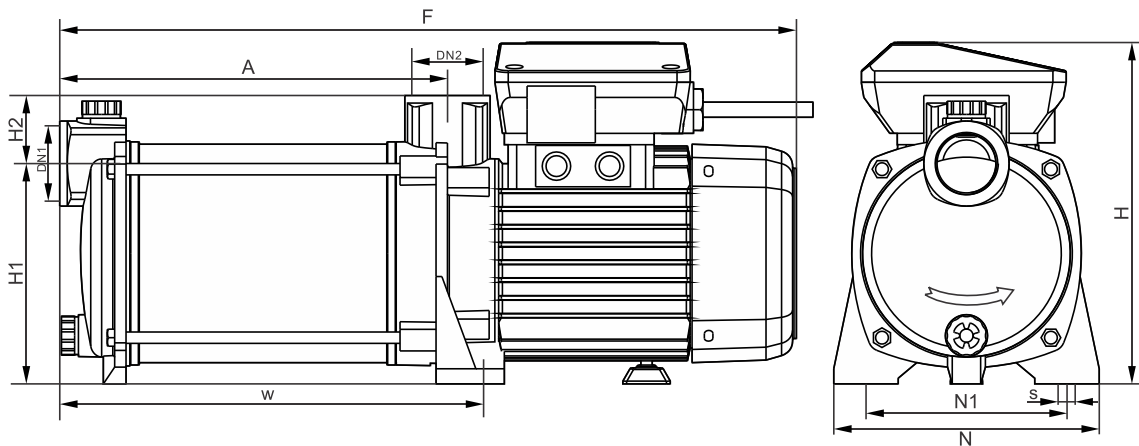
Motor Details

- 2 Pole induction motor
- Power : 0.37kw to 1.0kw
- Speed 2900 rpm
- Protection Class IP : X5
- Insulation Class : F

Pump Selection Chart

MODEL (CAST IRON)	Power		PHASE	INLET/ OUTLET	Max. Flow (LPM)	Max. Head (m)	Max. Suction (m)
	KW	HP					
PHMP60-2	0.37	0.5	1 & 3 phase	1" x 1"	60	20	8
PHMP60-3	0.5	0.65				30	
PHMP60-4	0.7	0.95				40	
PHMP60-5	0.85	1.15				50	
PHMP60-6	1.0	1.3				60	

G.A. Drawing



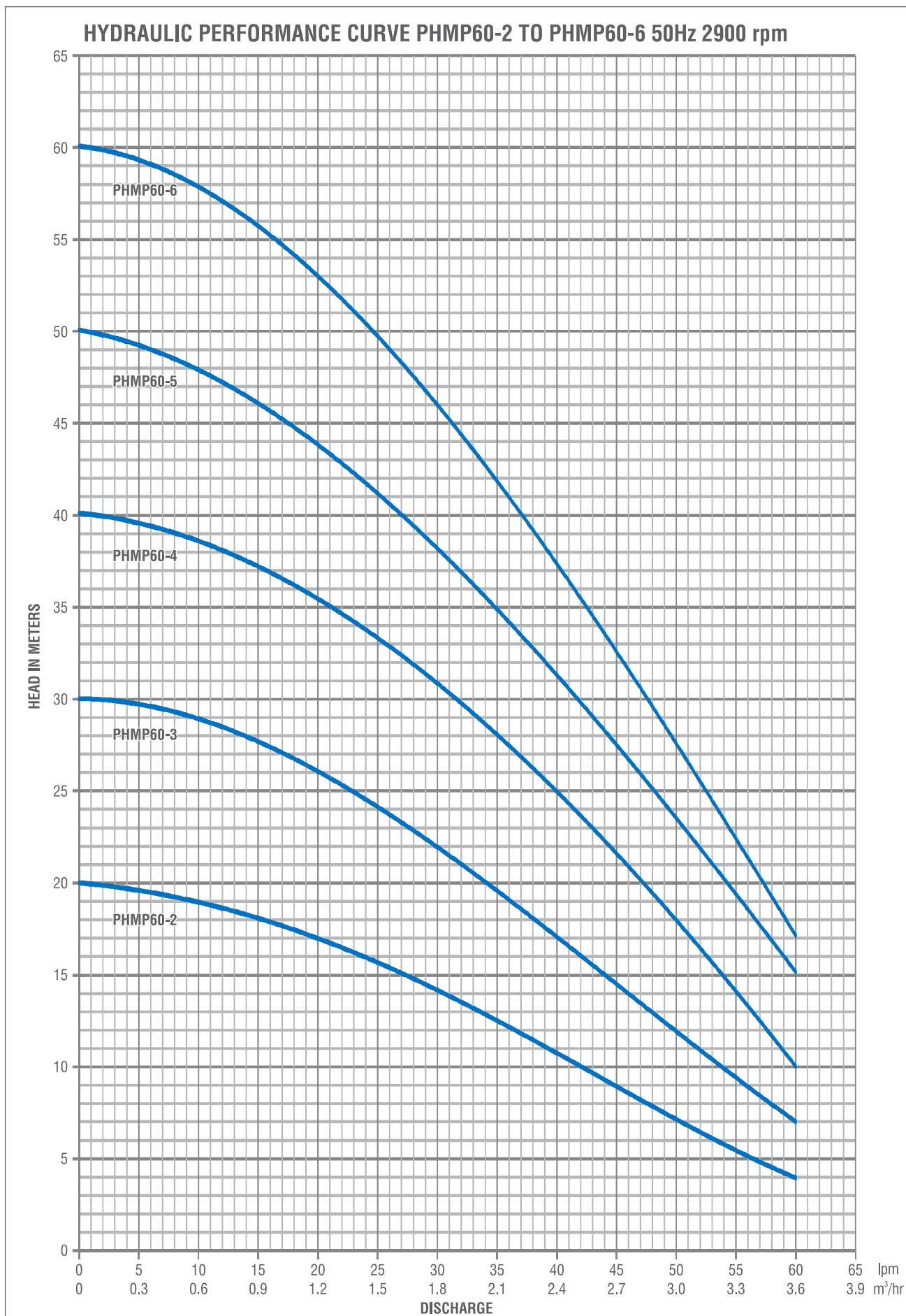
Pump Dimension Chart

MODEL (CAST IRON)	A	F	H	H1	H2	N	N1	W	S
PHMP60-2	146.0	337.0	180.0	121.0	31.5	150.0	120.0	164.0	10.0
PHMP60-3	170.5	362.0	180.0	121.0	31.5	150.0	120.0	188.5	10.0
PHMP60-4	194.5	409.0	196.0	126.0	36.5	150.0	120.0	214.5	10.0
PHMP60-5	219.0	433.0	196.0	126.0	36.5	150.0	120.0	239.0	10.0
PHMP60-6	243.5	458.0	196.0	126.0	36.5	150.0	120.0	263.5	10.0

Pump Performance Chart

MODEL (CAST IRON)	Power		Q	US GPM	0	2.6	5.3	7.9	10.6	13.2	15.9
	KW	HP		M ³ /H	0	0.6	1.2	1.8	2.4	3.0	3.6
				LPM	0	10	20	30	40	50	60
PHMP60-2	0.37	0.5	H (m)	20	19	17	14	11	7	4	
PHMP60-3	0.5	0.65		30	29	26	22	17	12	7	
PHMP60-4	0.7	0.95		40	39	35	31	25	18	10	
PHMP60-5	0.85	1.15		50	48	44	38	31	24	15	
PHMP60-6	1.0	1.3		60	58	53	46	37	28	17	

Pump Performance Curve





Quality, Reliability, Life

PRAKASH PUMP

Survey No. 479, Opp. Supreme Estate-1,
Zak Kadadara Road, Vill.- Kadadara,
Tal.- Dehgam, Gandhinagar,
Gujarat 382305 INDIA

Distributor Office for Middle East

PRAKASH PUMP EST

P.O.Box: 20973 Industrial Area
AL Ain, (United Arab Emirates)
T: +971 3 7222733
F: +971 3 7222744
M: +971 50 6731283
E-mail: sale@prakashpump.com

Distributor Office for Oman

Global Equipment Material Co. LLC

P.O. Box. 227, Postal Code:320
Nakhla Road, Barka(Sultanate of Oman)
T: +968 26883982
F: +968 26883982
M: +968 94584686
E-mail: oman@prakashpump.com



To get quotation by email



To get quotation by SMS



To download e-catalogue



The images given is only for illustration purpose for further details contact to sales team or sale@prakashpump.com / oman@prakashpump.com