

PRAKASH

Quality, Reliability, Life

Openwell 5" Submersible Pump Stainless Steel 304



www.prakashpump.com

Openwell 5" Submersible Pump Stainless Steel 304



Applications

- For water supply from open wells, tanks or reservoirs.
- For domestic use, Civil and industrial applications.
- For garden and irrigation, Utilization of rain water

Specifications

- Water temperature : up to 35°C
- Minimum internal diameter of well: Ø132mm.
- With Extra suction cover for more safety.

Performance Range

- Flow: Up to 133 LPM
- Head: Up to 88m
- Minimum Immersion Depth : 100mm
- Maximum immersion depth:20m suitable (with cable length)

Motor Details

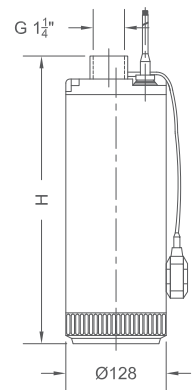
- 2 Pole induction motor
- Insulation class-F
- Protection Ip68
- Power Rating 0.75kw to 1.1kw
- Power Supply: Single Phase 220V ± 10%

Function and feature

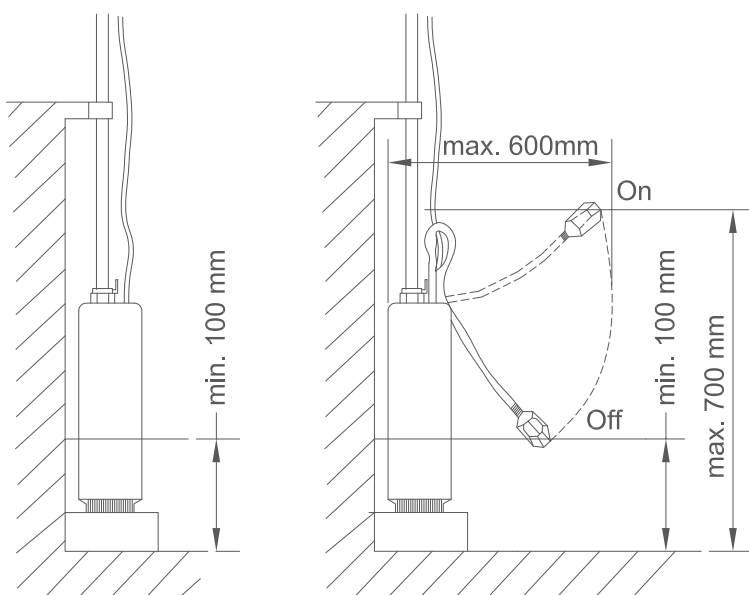
- Single phase with built-in capacitor and thermal protector on control box required Three phase with built-in thermal protector
- Hermetically sealed motor equip build-in thermal protection. The protector in the motor can automatically cut off the power when it overheats or over current.
- Close coupled multi-stage submersible pump in chrome –nickel stainless steel.
- Hydraulic part under the motor and motor cooled by the pumped water for safe operation also with the pump only partially immersed.
- Double shaft seal with interposed oil chamber
- The suction strainer prevents the entrance of solids with diameter bigger than 2 mm.

Model	Power		Outlet Inch	H	N.W (Kg)	Cable (mtr)	Q	US GPM										
	KW	HP						0	4	7	9	11	13	15	18	20	-	
								M ³ /H	0	1	1.5	2	2.5	3	3.5	4	4.5	-
P205	0.75	1		545	14.9	30		53	49.5	47	44	40	35	30	25	19	-	
P206	0.9	1.2	1 1/4"	580	16.2	35	H meters	65	61	58	54	49	43	37	30.5	23	-	
P207	1.1	1.5		640	18	40		88	81	77.0	71.5	66	60	52.5	46	37	-	

Model	Power		Outlet Inch	H	N.W (Kg)	Cable (mtr)	Q	US GPM									
	KW	HP						0	11	13	15	18	20	22	26	31	35
								M ³ /H	0	2.5	3	3.5	4	4.5	5	6	7
P406	1.1	1.5	1 1/4"	590	17	40	H meters	66	60	58	56	54	51.5	49	42	34	20.5



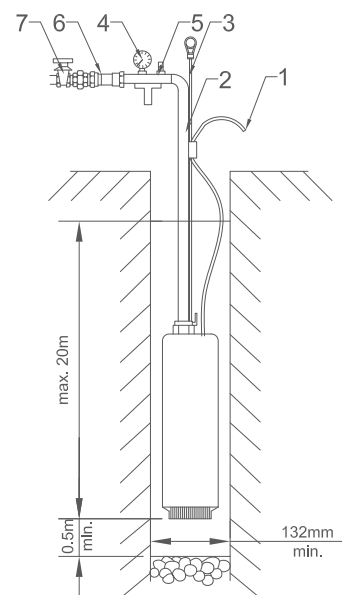
Pump in the Resting Position



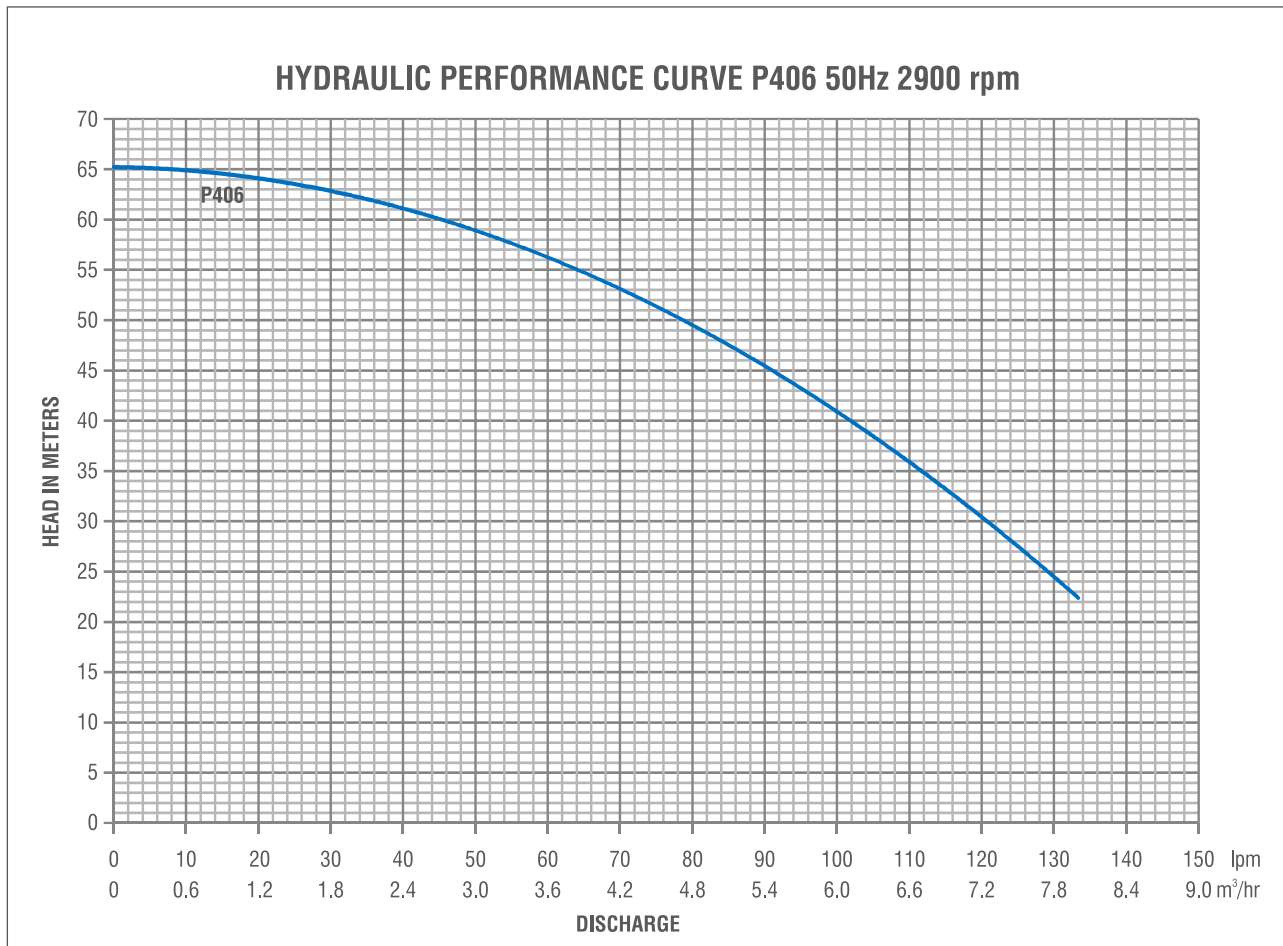
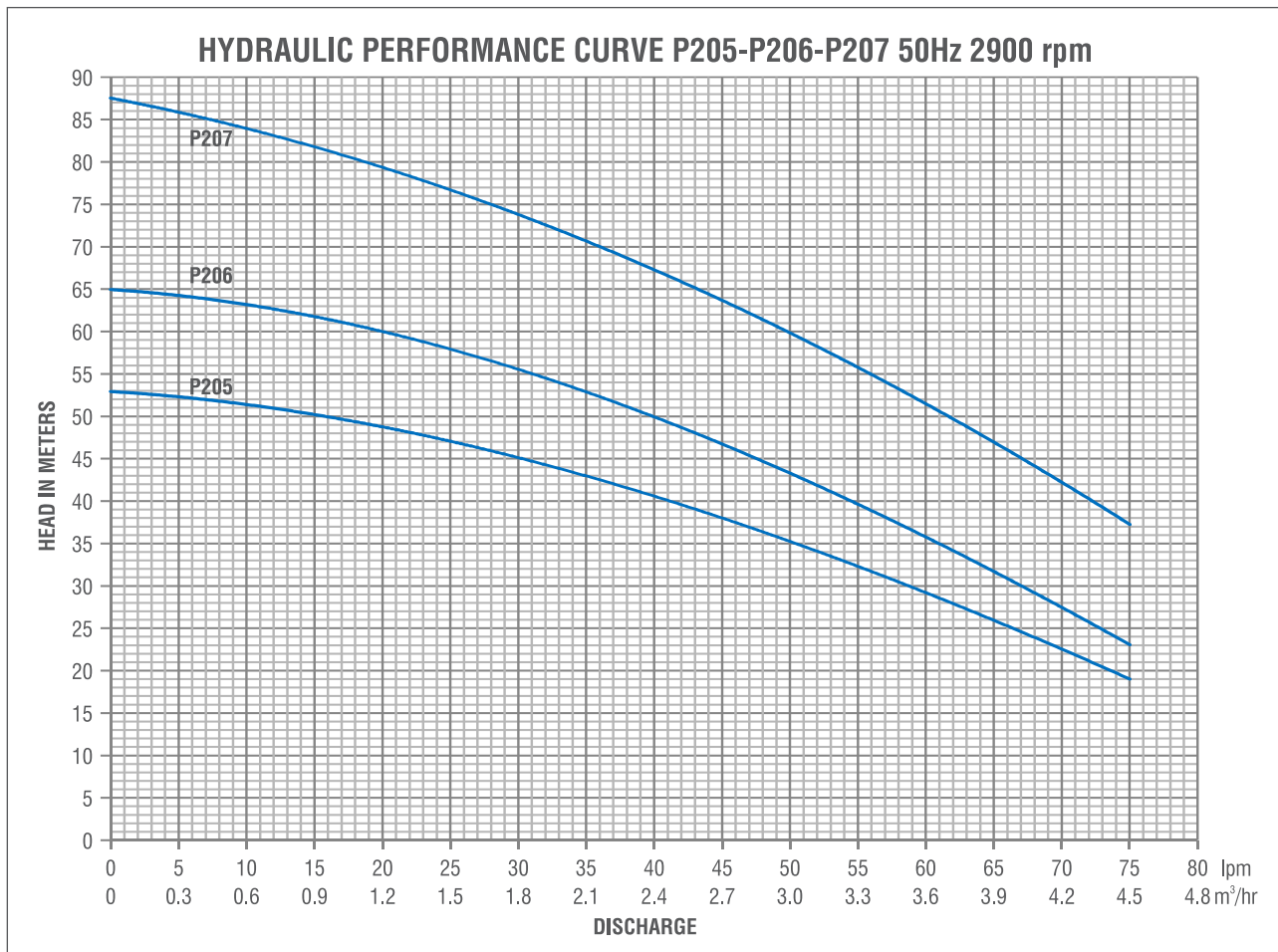
Construction without float switch

Construction with float switch

Pump in the Suspended Position



- Electric power cable
- Delivery pipe
- Safety rope
- Pressure gauge
- Air vent valve
- Check valve
- Gate valve





Quality, Reliability, Life

PRAKASH PUMP

Survey No. 479, Opp. Supreme Estate-1,
Zak Kadadara Road, Vill.- Kadadara,
Tal.- Dehgam, Gandhinagar,
Gujarat 382305 INDIA

Distributor Office for Middle East

PRAKASH PUMP EST

P.O.Box: 20973 Industrial Area
AL Ain, (United Arab Emirates)
T: +971 3 7222733
F: +971 3 7222744
M: +971 50 6731283
E-mail: sale@prakashpump.com

Distributor Office for Oman

Global Equipment Material Co. LLC

P.O. Box. 227, Postal Code:320
Nakhla Road, Barka(Sultanate of Oman)
T: +968 26883982
F: +968 26883982
M: +968 94584686
E-mail: oman@prakashpump.com



To get quotation by email



To get quotation by SMS



To download e-catalogue



The images given is only for illustration purpose for further details contact to sales team or sale@prakashpump.com / oman@prakashpump.com