



Worldwide

Quality, Reliability, Life

Pump Controller and Float Switch



SOUTH ASIA



AN ISO 9001:2008 CERTIFIED COMPANY



M4930112IL



CB-037-MS

www.prakashpump.com

Pump Controller and Float Switch

Applications

- Household Water Consumption
- Commercial Water Consumption
- Garden Water Consumption.

Pump Controller is more energy saving, more intelligent and more humanized.

It is run the pump safe and more environment friendly, Pump controller improve the imbalance of water conservancy, extend water pump service life, make the most use of water resource.

Products Advantages:

Dynamic Shape:

Streamlined design with intelligent technology it gives Dynamic Shape.

Delay Startup:

The pressure controller delays to start 3 seconds after the current is switched on to protect the pump and personal safety.

Dry running protection:

After 3 minutes usages without water, the controller will cut off current source automatically.

Automatic restart:

Circulate by time, automatically restart to test water flow until water supply going stable.

Stop water supply and stop the pump:

When stopping water supply, the intelligent control system will inspect automatically and control the pump to slow down and stop operating

Flow Control:

When the outlet water flow becomes slow, the intelligent control system will inspect automatically and switch to small flow control system to guarantee normal use of the water pump, which infinitely extends the life span of the controller and automatically realize the barrier free operation of water pump.

Overload Protection:

The intelligent system is equipped with heat overload protector to prevent water pump being overheated and damages under abnormal use.

Prakash Pump Controller

PAPC - 1



Rated voltage	220V - 240V, 110V - 120V, 85V-285V
Frequency	50/60 Hz
Maximum Current	10A/20A/30A
Maximum power	1.1KW 1.5KW 2.2KW
Starting pressure setting	1.0 Bar / 1.2 Bar / 202 Bar / 1.0 -2.5 Bar / 2.0 Bar - 4.0 Bar.
Max. working pressure	10 bar
Connection thread	Inlet male thread G1" Outlet female threads G1"
Protection rating	IP65
Maximum Operating Temperature	60° /100°
Cable requirement	3 meter / 5 meter

PAPC - 3



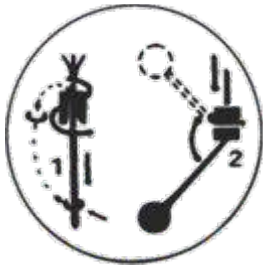
Rated voltage	220V - 240V, 85V-285V
Frequency	50/60Hz
Maximum current	10A / 20A / 30A
Maximum power	1.1KW 1.5KW 2.2KW
Starting pressure setting	1.0 Bar / 1.2 Bar / 202 Bar / 1.0 -2.5 Bar / 2.0 Bar - 4.0 Bar.
Max. working pressure	10 bar
Connection thread	Inlet male thread G1" Outlet female threads G1"
Protection rating	IP65
Maximum Operating Temperature	60° /100°
Cable requirement	3 meter / 5 meter

Prakash Pump Float Switch PFS-3



Rated voltage	110V/220V
Frequency	50/60Hz
Rated Current	16 (4) A
Protection grade	IP68
Maximum operating temperature	55°C
Color	optional
Cable	optional

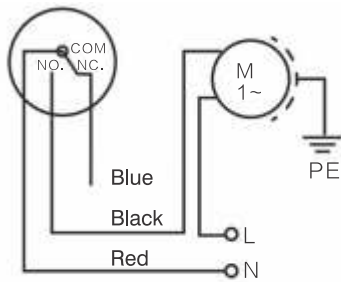
Illustration For Counterweight Installation:



Peel the plastic ring off the counterweight before installation and set the ring around the cable, then insert and fix it with moderate pressure at the fixing end.

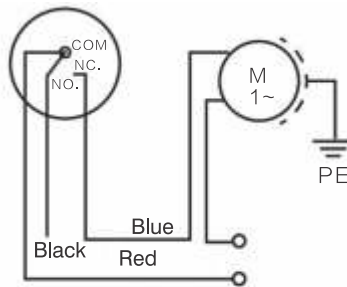
Description

Auto- fill-water modes



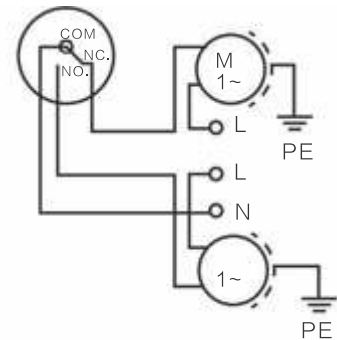
connect the control's blue line to electric pump, black line is connected to zero line, black, brown line can not be connected and should be insulated.

Auto-grainage-and-lack-water protection modes



connect the control's brown line to electric pump, the black line is connected to zero line, the blue line can not be connected and should be insulated.

Fill-water and drainage auto-switch modes



the chart is fill-water and drainage auto-switch mode, this electric connection chart synthesize by automatic fill water and auto-drainage.



Quality, Reliability, Life

PRAKASH PUMP

Survey No. 479, Opp. Supreme Estate-1,
Zak Kadadara Road, Vill.- Kadadara,
Tal.- Dehgam, Gandhinagar,
Gujarat 382305 INDIA

Distributor Office for Middle East

PRAKASH PUMP EST

P.O.Box: 20973 Industrial Area
AL Ain, (United Arab Emirates)
T: +971 3 7222733
F: +971 3 7222744
M: +971 50 6731283
E-mail: sale@prakashpump.com

Distributor Office for Oman

Global Equipment Material Co. LLC

P.O. Box. 227, Postal Code:320
Nakhla Road, Barka(Sultanate of Oman)
T: +968 26883982
F: +968 26883982
M: +968 94584686
E-mail: oman@prakashpump.com



To get quotation by email



To get quotation by SMS



To download e-catalogue



The images given is only for illustration purpose for further details contact to sales team or sale@prakashpump.com / oman@prakashpump.com