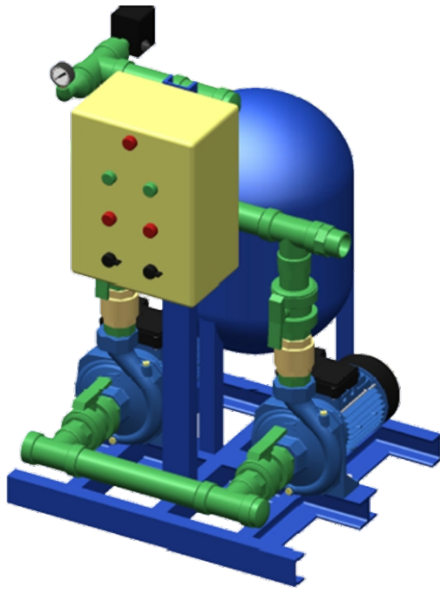


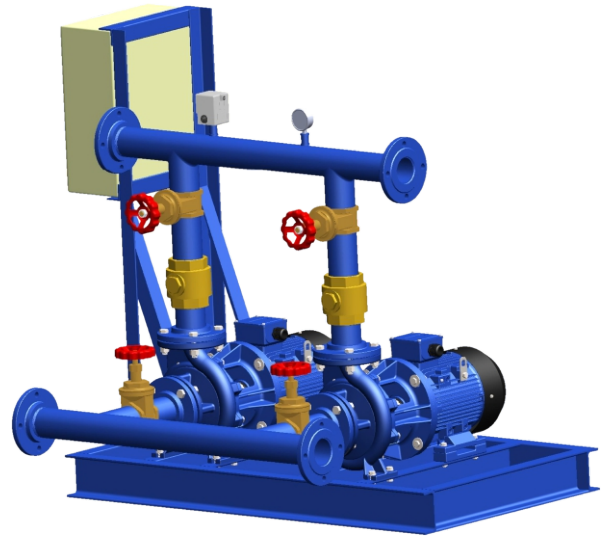


Worldwide

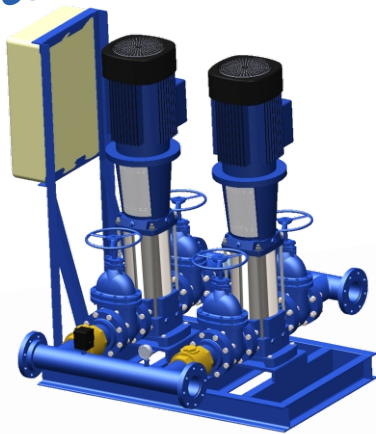
Quality, Reliability, Life



**Domestic Centrifugal Pressure Booster System**



**Centrifugal Monoblock & Solo Pressure Booster System**



**Vertical Multistage Pressure Booster System**



**Prakash Pump Dependable for any water solution**



## DESCRIPTION

The Duty Standby Booster system is mainly use for pressure boosting and water transfer. The pressure booster system is a fully integrated package. There are many applications for different purposes and maintain constant pressure for many useful applications.

## APPLICATIONS

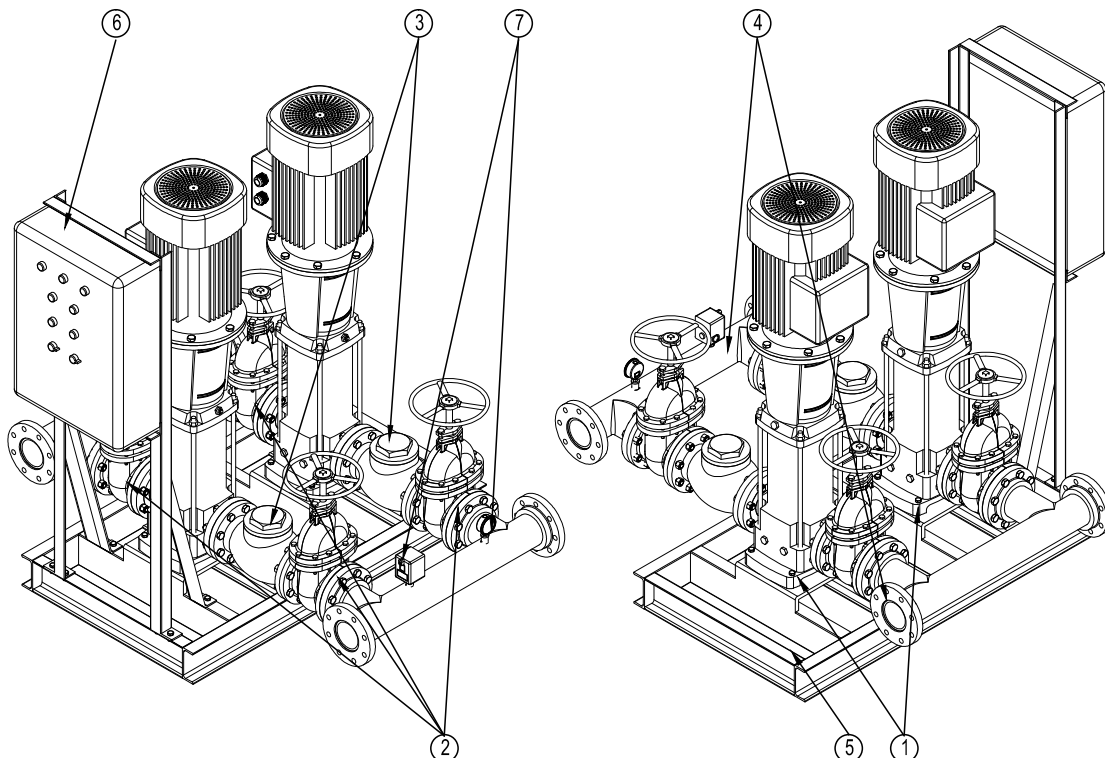
The Appropriate applications are as follow;

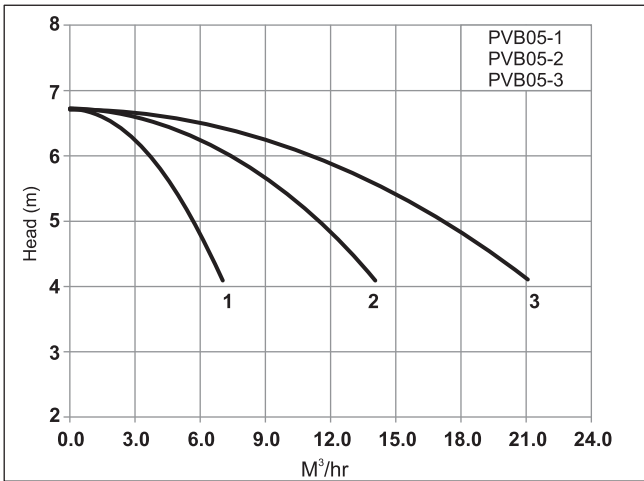
Hotels, Hospitals, High rise residential apartments, High rise commercial buildings, Shopping centers, Low rise buildings, Cold water Boosting, Rainwater harvesting, Municipal Water Supply, Dust Suppression, Agricultural systems, Dairy, Irrigation, Industrial Water Supply, Mining Civil Services.

## BENEFITS & EASE OF USE

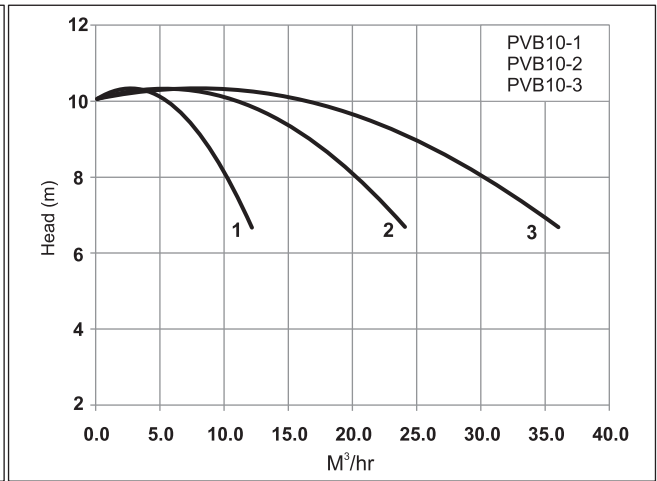
The system consists of parallel pump set, pump controllers, and the necessary mechanical fittings. It is suitable for a 2 or 3 pumps of any type and the unique electronic hydraulic control ensures each pump operates at its maximum performance level by allocating optimal power to each pump. The duty stands by and parallel pump sets has been specifically designed from the ground up based on feedback. The system is simple to use and parallel pumps running is maintain the same pressure at same flow.

PVMP64-4-2 PUMP MATERIAL OF CONSTRUCTION		
SR.NO.	DESCRIPTION	QTY.
1	Vertical multistage stainless steel pump PVMP64-4-2	2
2	Gate Valve PN16	4
3	No return Valve PN16	2
4	Pipe steel Pn16- With suction and discharge	As required
5	Foundation	As required
6	Control panel - Suitable for Duty Standby with timer	1
7	Other accessories	As required

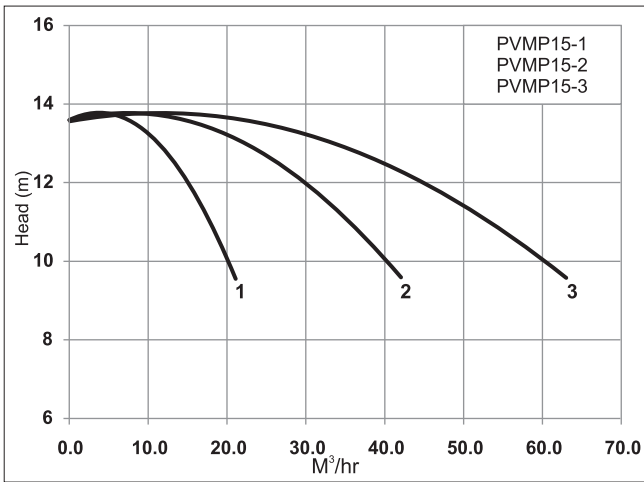




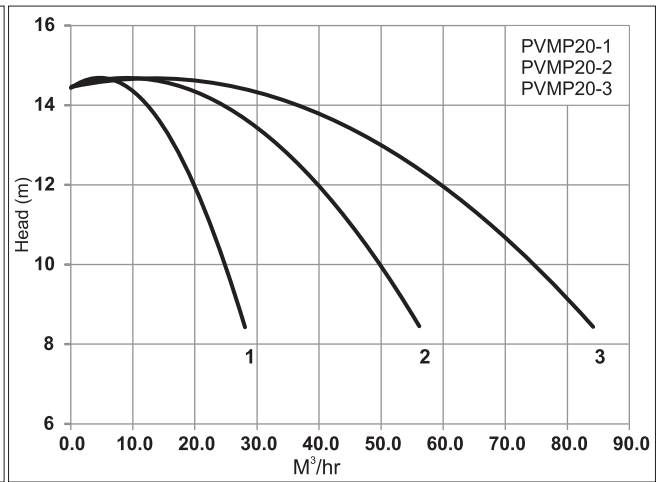
Parallel Running Pumps



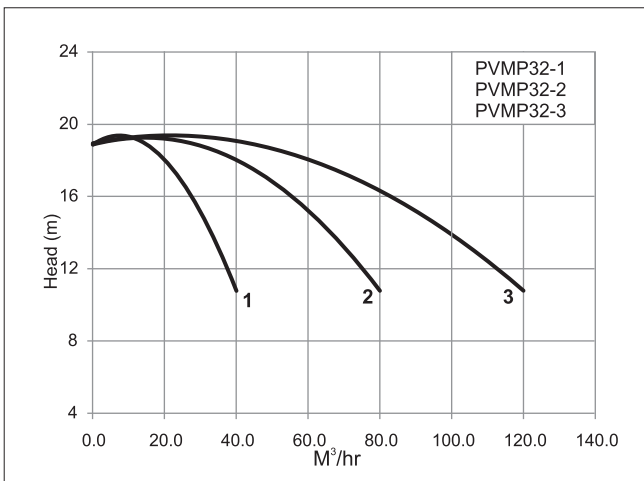
Parallel Running Pumps



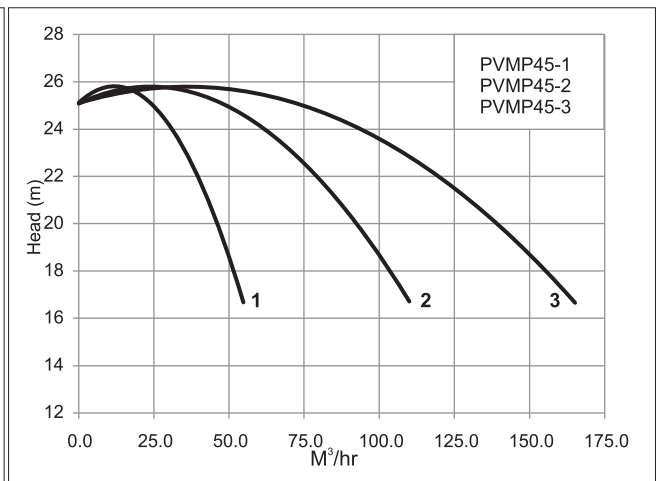
Parallel Running Pumps



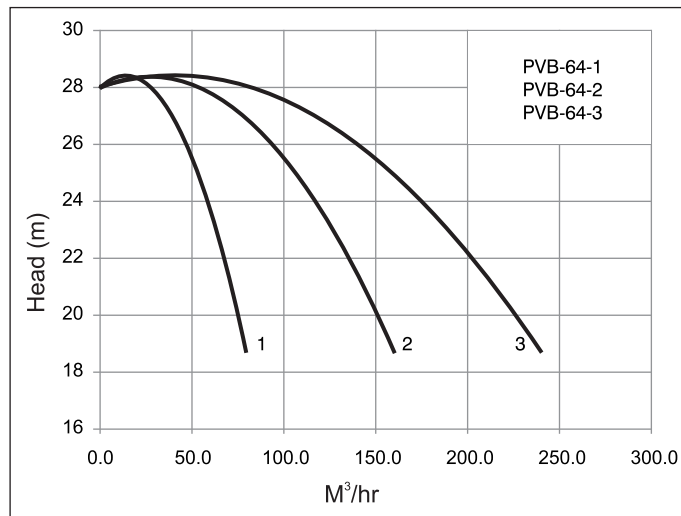
Parallel Running Pumps



Parallel Running Pumps



Parallel Running Pumps



Curve for Parallel Running Pumps

For Detail Performance Please refer “PRAKASH Vertical multistage Catalogue” or [www.prakashpump.com](http://www.prakashpump.com)

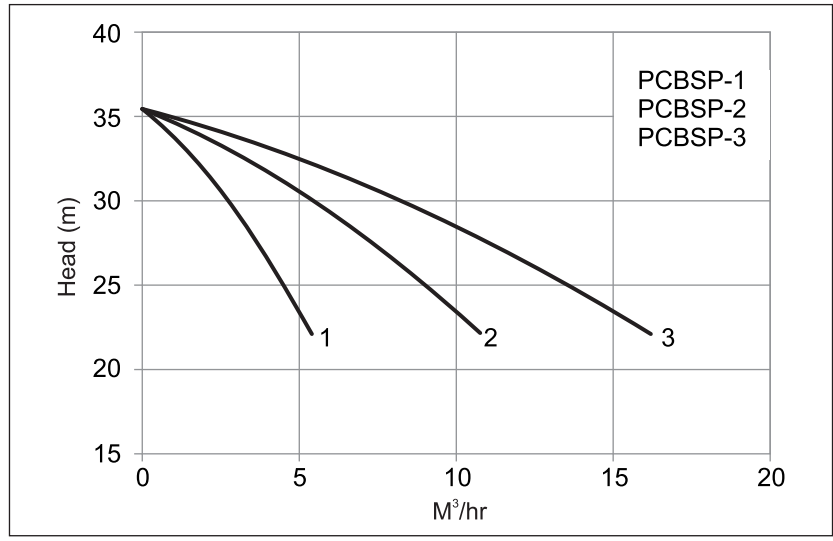
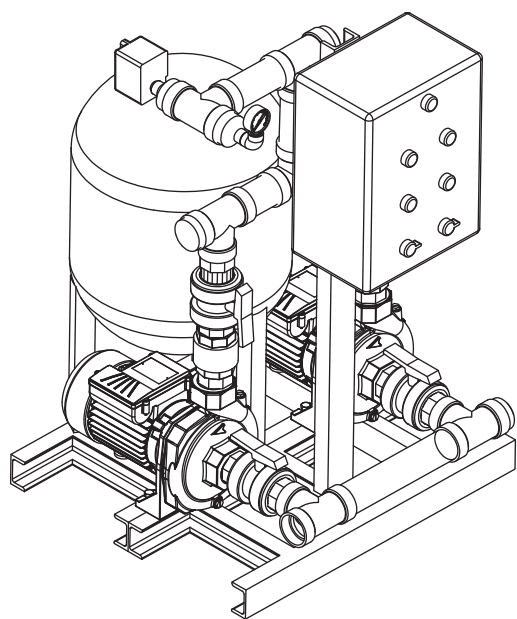
**PRODUCT RANGE VERTICAL SERIES**

SR. NO.	Discription	Model						
		PVB-5	PVB-10	PVB-15	PVB-20	PVB-32	PVB-45	PVB-64
1	Rated flow (m3/h)	5	10	15	20	32	45	64
2	Flow range (m3/h)	2.5-8.5	5-13	8-23	10.5-29	15-40	22-58	30-85
3	Max. Pressure (bar)	24	22	23	25	28	33	22
4	Motor power (kW)	0.37-4	0.37-7.5	1.1-15	1.1-18.5	1.5-30	3-45	4-45
5	Temperature range (°C)	15°Cto +120°C						
6	Max. Pump efficiency(%)	60	65	70	72	78	79	80
Pipe connection for PVR								
7	Oval flange	G1 1/4	-	-	-	-	-	-
8	DIN flange	-	DN42	DN50	DN50	Dn65	DN80	Dn100
Pipe connection for PVS								
10	Oval flange	-	-	-	-	-	-	-
11	DIN flange	DN32	DN42	DN50	DN50	Dn65	DN80	Dn100
12	Clamp connector	ø42	-	-	-	-	-	-
13	Thread connector	G1 1/4	-	-	-	-	-	-

**Abbreviation: PVB: Prakash Vertical Booster System**

**Identification : PVR: Cast iron base & pump cover  
: PVS: Stainless steel wetted parts**

# PRAKASH DOMESTIC CENTRIFUGAL PUMP BOOSTER SYSTEM



Curve for Parallel Running Pumps  
For Detail Performance Please refer "PRAKASH Peripheral and Centrifugal Catalogue" or [www.prakashpump.com](http://www.prakashpump.com)

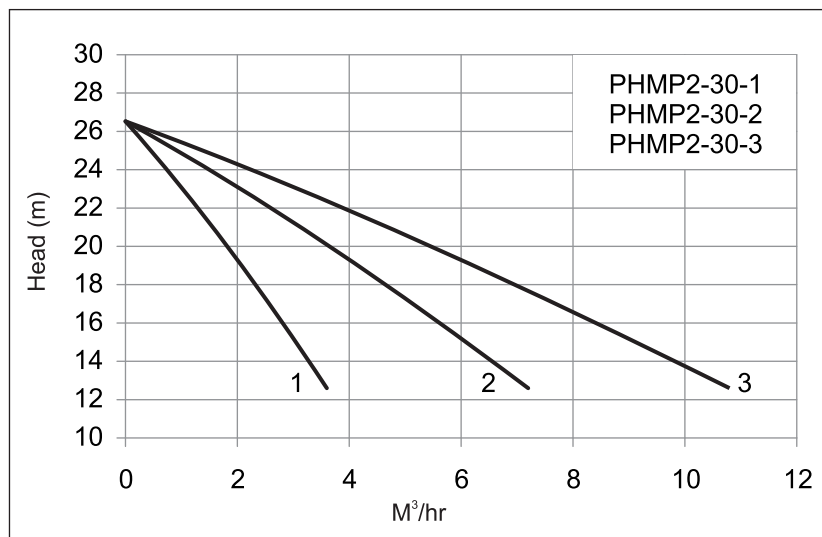
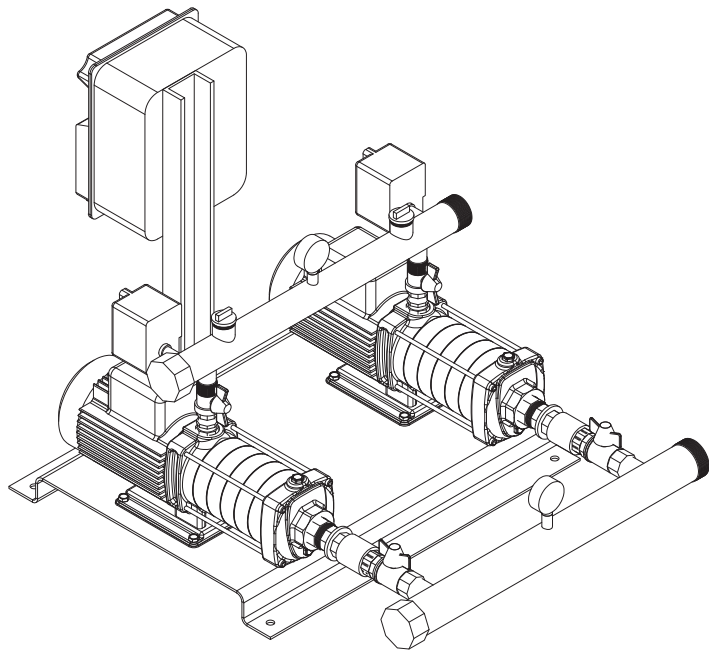
## HYDRAULIC PUMP PERFORMANCE CHART

Model	Power		PHASE	INLET/OUTLET	Max. Flow (m3/hr)	Max. Head (m)	Max. Suction (m)
	kw	HP					
PCBSP-10	0.75	1	1 PHASE	1" x 1"	6	35	8
PCBSP-15	1.5	1.5		1 1/4" x 1"	10	36	
PCBSP-15A	1.1	1.5		2" x 2"	27	25	
PCBSP-20A	1.5	2		2" x 2"	27	30	
PCBSP-30A	2.2	3		3" x 3"	30	34	
PCBSP-30	2.2	3		3" x 3"	78	19	

Abbreviation: PCBSP: Prakash Centrifugal Booster System Single Phase  
Note: Available in 3 Phase on demand

Pipe Fitting Available: G.I / SS / PPR / Copper - as per demand  
UAE: T: +971 3 7222733 | F: +971 3 7222744 | M: +971 50 6731283  
OMAN: T: +968 2683982 | F: +968 26883982 | M: +968 94584686  
[www.prakashpump.com](http://www.prakashpump.com)

# PRAKASH HORIZONTAL MULTISTAGE STAINLESS STEEL PUMP PRESSURE BOOSTER SYSTEM



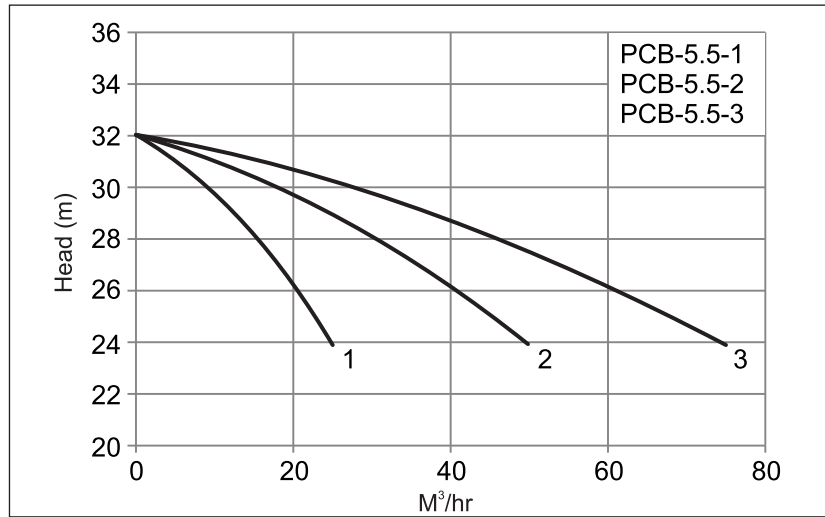
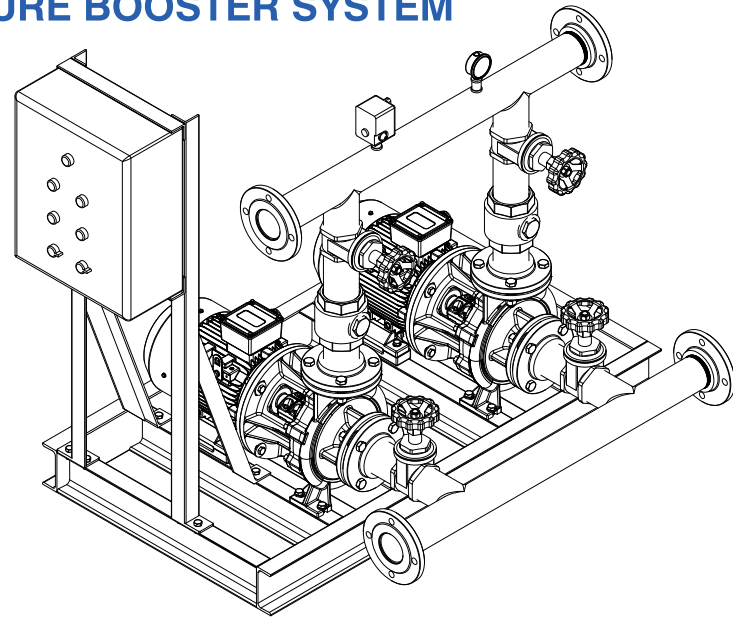
Curve for Parallel Running Pumps  
For Detail Performance Please refer "PRAKASH Horizontal Multistage  
Stainless Steel Pump Catalogue" or [www.prakashpump.com](http://www.prakashpump.com)

## HYDRAULIC PERFORMANCE CHART

Model	Power		PHASE	INLET/ OUTLET	Max. Flow (m <sup>3</sup> /hr)	Max. Head (m)	Max. Suction (m)
	kw	HP					
PHMB2-30	0.37	0.5	Single and Three Phase	1" x 1"	3.6	27	8
PHMB2-50	0.55	0.75				45	
PHMB2-60	0.75	1				53	
PHMB4-30	0.75	1		1 1/4" x 1"	4	28	
PHMB4-60	1.1	1.5				7	

Abbreviation: PHMB: Prakash Horizontal Multistage Stainless Steel Booster System

# CENTRIFUGAL MONOBLOCK AND SOLO PRESSURE BOOSTER SYSTEM



Curve for Parallel Running Pumps  
 For Detail Performance Please refer "PRAKASH Centrifugal Monoblock & Solo Pump Catalogue" or [www.prakashpump.com](http://www.prakashpump.com)

## CENTRIFUGAL MONOBLOCK PERFORMANCE

Model	Power		PHASE	INLET/OUTLET	Max. Flow (m³/hr)	Max. Head (m)	Max. Suction (m)
	kw	HP					
PCB-5.5	4	5.5	3 PHASE	2.5" X 2.5"	25	32	8
PCB-7.5	5.5	7.5		2.5" X 2.5"	47	28	
PCB-10	7.5	10		3" X 3"	50	32	
PCB-15	11	15		3" X 3"	47	44	

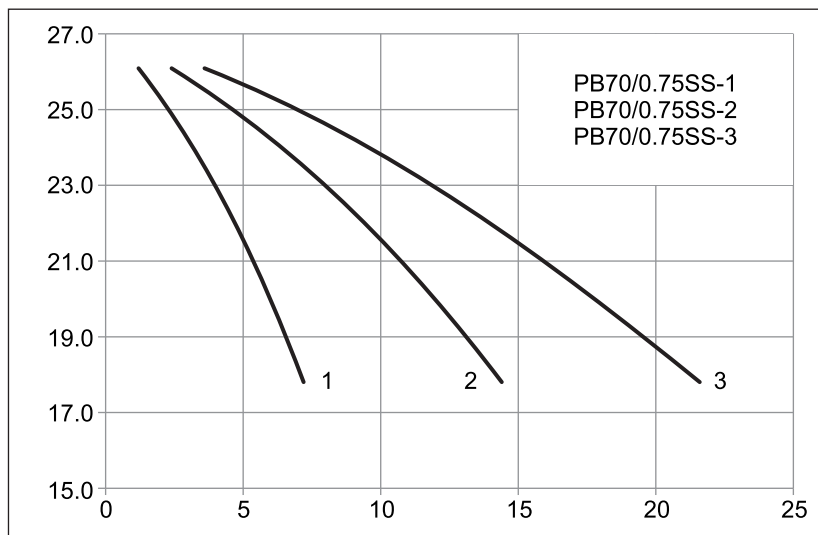
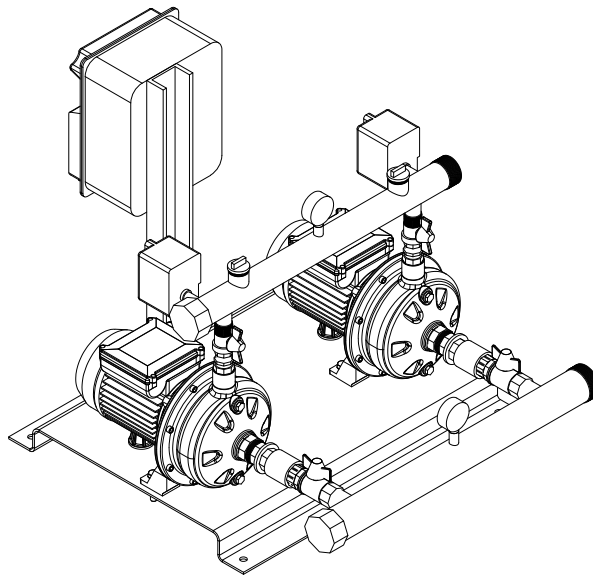
## SOLO PUMP PERFORMANCE

Model	Power		PHASE	INLET/OUTLET	Max. Flow (m³/hr)	Max. Head (m)	Max. Suction (m)
	kw	HP					
PSB-10	7.5	10	3 PHASE	3" X 3"	90	45	8
PSB-15	11	15			90	55	
PSB-20	15	20			90	65	
PSB-30	22	30			90	88	

Abbreviation: PCB: Prakash Centrifugal Booster System | PSB: Prakash Solo Booster System

Pipe Fitting Available: G.I / SS / PPR / Copper - as per demand  
 UAE: T: +971 3 7222733 | F: +971 3 7222744 | M: +971 50 6731283  
 OMAN: T: +968 2683982 | F: +968 26883982 | M: +968 94584686  
[www.prakashpump.com](http://www.prakashpump.com)

# CENTRIFUGAL STAINLESS STEEL PUMP PRESSURE BOOSTER SYSTEM



Curve for Parallel Running Pumps  
For Detail Performance Please refer "PRAKASH Centrifugal  
Stainless Steel Pump Catalogue" or [www.prakashpump.com](http://www.prakashpump.com)

## Performance Centrifugal Stainless Steel Pump

Model	Power		INLET/ OUTLET	Max. Flow (m <sup>3</sup> /hr)	Max. Head (m)	Max. Suction (m)
	kw	HP				
PB70/0.75SS	0.75	1	1.25" X 1"	10	30	8
PB120/0.75SS	0.75	1	1.25" X 1"	12	28	
PB120/110SS	1.1	1.5	1.25" X 1"	14	32	
PB120/150SS	1.5	2	1.25" X 1"	15	35	
PB120/185SS	2.2	3	1.25" X 1"	16	42	
PB200/150SS	1.5	2	1.5" X 1"	18	30	
PB200/185SS	2.2	3	1.5" X 1"	20	33	

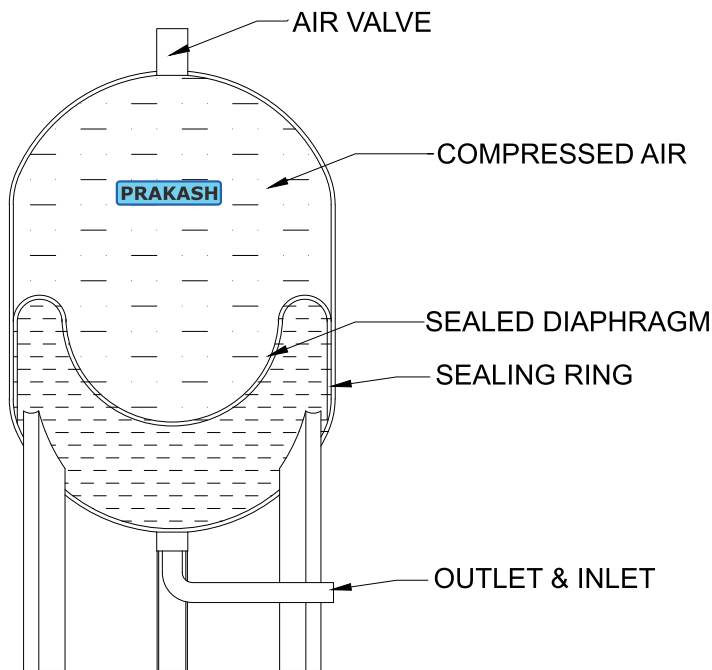
Abbreviation: PB: Prakash Centrifugal Stainless Steel Booster System



## PRAKASH PRESSURE TANK DETAILS

### Specification

Replaceable membrane pressure tanks  
 Carbon steel & Stainless Steel  
 Working temperature:  
 EPDM:- 20°C- 120°C



**PRESSURE TANK DETAILS**

BAR	LTR
10	24
10	50
10	100
10	200
10	300
16	100
16	200
16	300
25	200
25	300

A pressure tank is fitted to all complete Prakash Pressure Booster Systems. Its Purpose is as below.

- To provide Supplemental pressure in the system to reduce the cycle time of the pump starts.
- To reduce effects of any water hammer in the system.

The above recommend table fulfills the minimum requirement of pressure and water capacity for normal applications. Adding extra pressure tanks will always assist in smoother operation of the pump set and may be required if you have a fast reacting system.

#### Control Panel Details: -

Color - Siemens grey  
 Control accessories - Schneider | ABB | Telemec | L&T  
 Protection - IP 54







Worldwide

Quality, Reliability, Life

**PRAKASH PUMP**

Nr, Jayhind Metal Bus Stand, Naroda, G.I.D.C.,  
Ahmedabad-380 025, Gujarat(India)  
Phone: +91 7922840004  
E-mail: sale@prakashpump.com

**For Enquiries of Middle East & Gulf.**

**PRAKASH PUMP**

P.O.Box: 20973 Industrial Area  
AL Ain, (United Arab Emirates)  
T: +971 3 7222733  
F: +971 3 7222744  
M: +971 50 6731283  
E-mail: sale@prakashpump.com

**For Enquiries of Oman.**

**GLOBAL Equipment Material Co. LLC**

P.O. Box. 227 Postal Code:320  
Nakhla Road, Barka(Sultanate of Oman)  
T: +968 26883982  
F: +968 26883982  
M: +968 94584686  
E-mail: oman@prakashpump.com



Scan QR Code to get  
quotation by email



Scan QR Code to get  
quotation by SMS



Scan QR Code to  
download e-catalogue



The images given is only for illustration purpose for further details contact to sales team or sale@prakashpump.com / oman@prakashpump.com