



PRAKASH

Worldwide

Quality, Reliability, Life



SEWAGE AND CLEAN WATER PUMP

Sewage and Clean Water Pump

Application

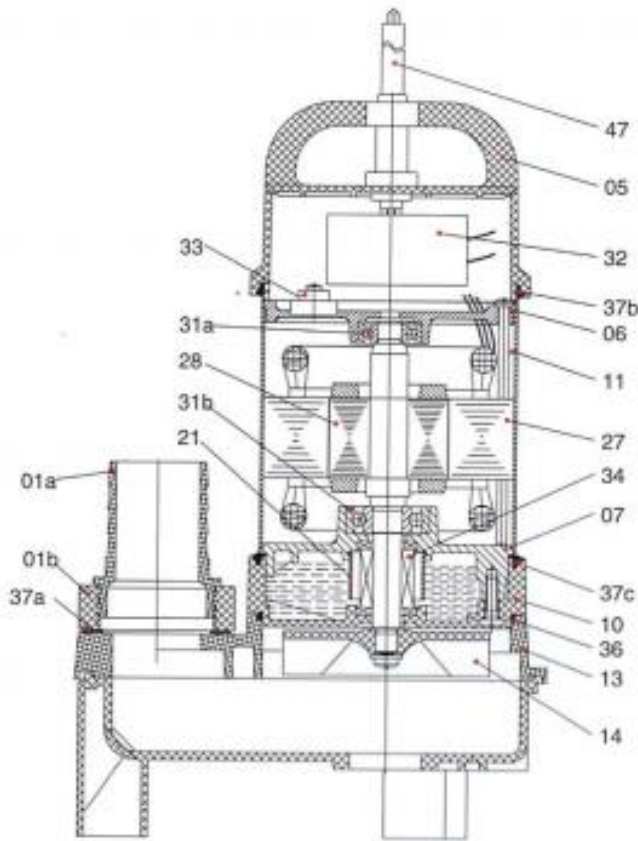
- Transferring wastewater between the tanks at small-scale treatment facility
- Draining sewage from factory, residence, hotel, restaurant, etc.
- Pumping rainwater and spring water at a place where foreign objects are likely to run into water.

Application Limits

- Water temperature: up to 40°C
- PH: 4 to 10
- Power Supply:
Single phase 220V \pm 10 %, 50Hz, 60Hz.
Three phase 380V \pm 10 %, 50Hz, 60Hz.
- Insulation class: F
- Cable length: 8m
- Max water depth: 10m

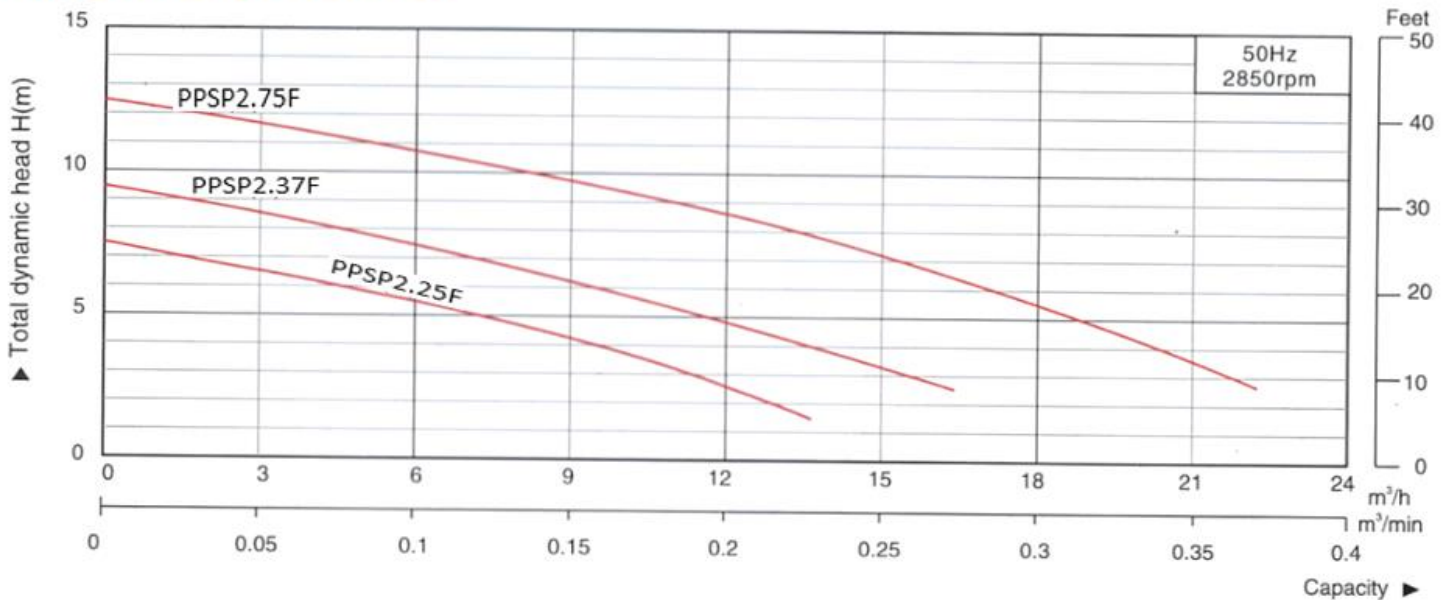


Materials Of Construction



Item No.	Part name	Material
01a	Hose coupling	ABS
01b	Hose coupling	PA66
05	Upper cover	PPS
06	Up-Bearing house	Aluminum die casing
07	Bearing house	Aluminum die casing
10	Seal house	PPS
11	Motor casing	AISI304SS
13	Pump body	ABS
14	Impeller	PPO
21	Oil riser	LDPE
27	Stator	
28	Rotor	Shaft:AISI304SS
31a	Bearing	Ball bearing
31b	Bearing	Ball bearing
32	Capacitor	
33	Motor protector	
34	Mechanical seal	Ceramic-Sic/Carbon-Ceramic
36	O'ring	NBR
37a	Gasket	NBR
37b	Gasket	NBR
37c	Gasket	NBR
47	Cable	H07RN-F

Performance curves



Model	HP	Kw	Volt.	Head Meter	Flow LPM	DN MM	Capacity													
							m ³ /h	0	3	6	9	12	15	16.8	18	21	22.2			
PPSP2.25F	0.35	0.25	220/50 Hz	7.5	200	50	Head Meter	7.5	6.5	5.5	4.2	2.5								
PPSP2.37F	0.5	0.37	220/50 Hz	9.5	280			9.5	8.5	7.5	6.2	4.8	3.2	2.5						
PPSP2.75F	1	0.75	220/50 Hz	12.5	370			12.5	11.5	10.9	9.7	8.5	7.1	6.5	5.5	4.5	2.5			

PRAKASH

Worldwide



Scan QR Code to Get
Quotation by Email



Scan QR Code to Get
Quotation by SMS



Scan QR Code to
Download e-Catalogue



Prakash Pump

Naroda Road, Ahmedabad-380025. Gujarat, India

Phone : +919925249371 | Email: info@prakashpump.com | www.prakashpump.com

UAE : 00971 50 6731283 | 00971 37222733

Oman : 00968 95690021 | 00968 26883982